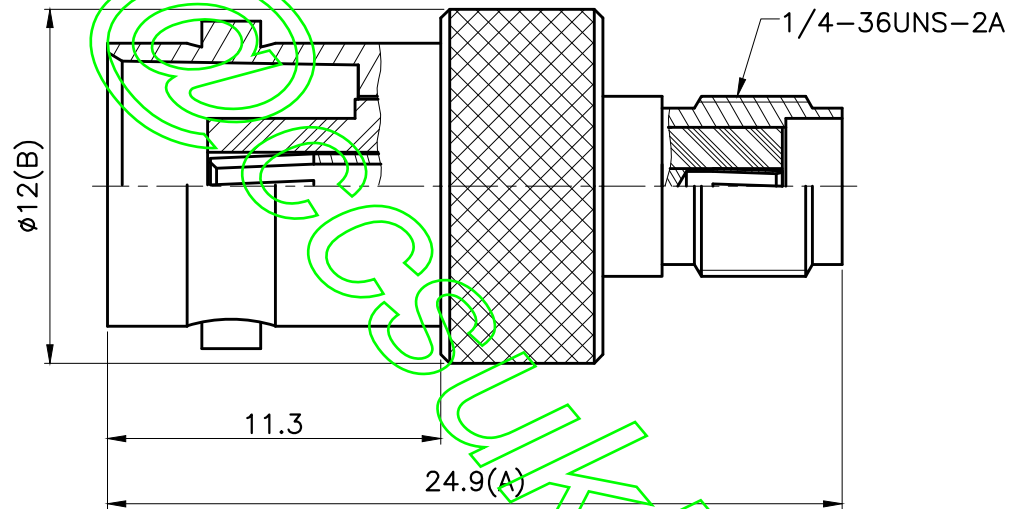


REVISIONS	
ISS	DESCRIPTION\DATE

RoHS COMPLIANT



CONNECTORS CABLES



SPECIALISTS LTD.

TITLE: SMA FEMALE TO BNC FEMALE

PART NO: BJSMAJA50

DRAWING NO:

29

DATE: 06/21/06"

UNIT: mm

SHEET: .

SCALE: 4/1

APRD:

CHKD:

DR:

UNLESS OTHERWISE SPECIFIED TOLERANCES
 0.5-6 = ±0.2
 >6-30 = ±0.4
 >30-120 = ±0.6
 >120-315 = ±1
 >315-1000 = ±1.6
 ANGLES = ±5°

CONTACT PIN	BRASS	GOLD	KA/2005/10527\	KA/2005/30993
INSULATOR	TEFLON	WHITE	KA/2005/50918	
BODY	BRASS	NICKEL	KA/2005/10527\	KA/2005/60362
DESCRIPTION	MATERIAL	FINISH	SGS REPORT NO	