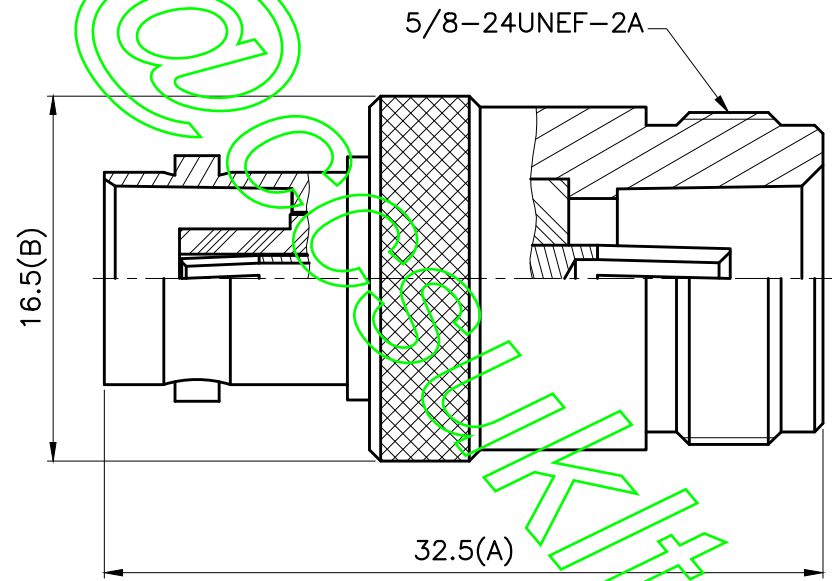


REVISIONS	
ISS	DESCRIPTION\DATE

RoHS COMPLIANT



TITLE: BNC FEMALE TO N FEMALE		APRD:	UNLESS OTHERWISE SPECIFIED TOLERANCES 0.5-6 = ±0.2 >6-30 = ±0.4 >30-120 = ±0.6 >120-315 = ±1 >315-1000 = ±1.6 ANGLES = ±5°			
PART NO: . BJNJA50		CHKD:		CONTACT PIN	BRASS	GOLD
DRAWING NO: . 030		DR:		INSULATOR	TEFLON	WHITE
		DATE: 07/16/07"	UNIT: mm	BODY	BRASS	NICKEL
		SHEET: .	SCALE: 3/1	NO. DESCRIPTION	MATERIAL	FINISH