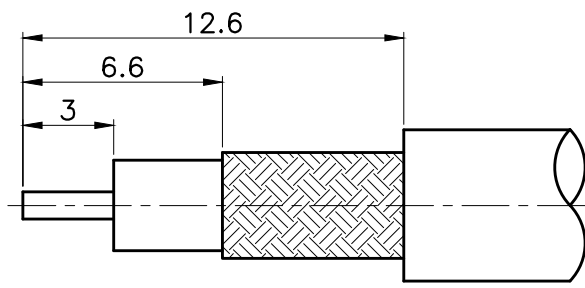
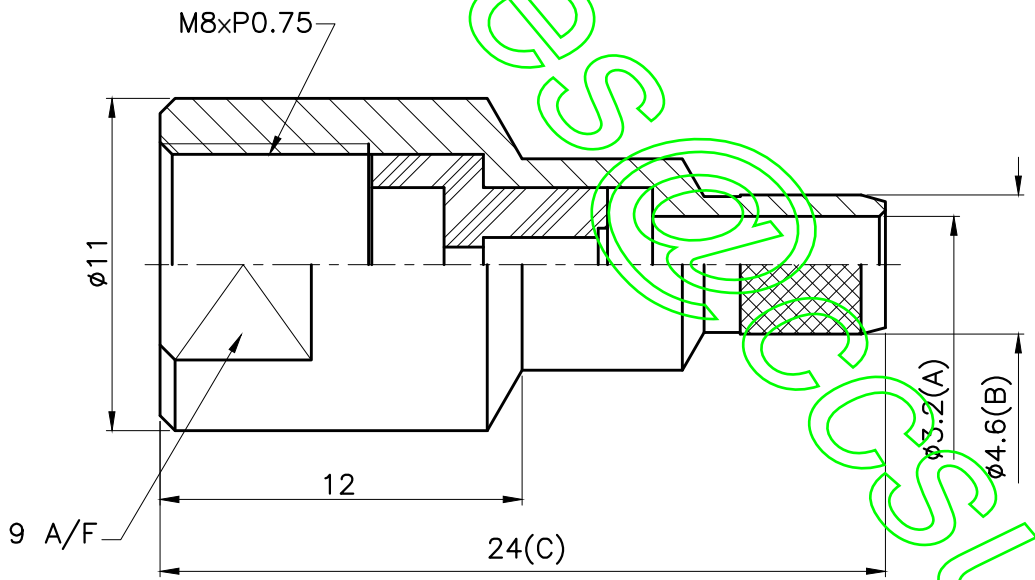
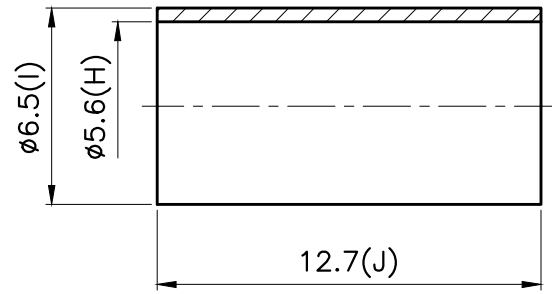
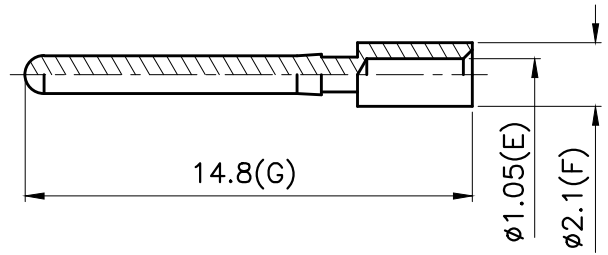


REVISIONS		
ISS	DESCRIPTION	DATE



RoHS COMPLIANT

RECOMMENDED CABLE STRIPPING DIM'S



1. CRIMPED FERRULE  
HEX CRIMP SIZE .213"
2. CRIMPED CONTACT PIN  
HEX CRIMP SIZE .068"

- NOTES: FINISH (PLATING THICKNESS IN MICRO-INCHES)
1. BRASS PER QQ-B-626
  2. NICKEL PL 70 MIN THICK OVER COPPER STRIKE
  3. GOLD PL FLUSH OVER NICKEL PL 70 MIN THICK OVER COPPER STRIKE
  4. BRASS JIS H 3250, C 2700



TITLE: FME MALE CRIMP  
(FOR RG58C/U)

PART NO: FMEPCR58

DRAWING NO: 037

APRD:	UNLESS OTHERWISE SPECIFIED TOLERANCES 0.5-6 = ±0.2 >6-30 = ±0.4 >30-120 = ±0.6 >120-315 = ±1 >315-1000 = ±1.6 ANGLES = ±5°				
CHKD:					
DR:					
DATE: 09/18/07"	UNIT: mm	FERRULE	NOTE 4	NOTE 2	KA/2005/10527\ KA/2005/60362
SHEET: .	SCALE: 4/1	CONTACT PIN	NOTE 1	NOTE 3	KA/2005/10527\ KA/2005/30993
		INSULATOR	DELIN	WHITE	KA/2005/10531
		BODY	NOTE 1	NOTE 2	KA/2005/10527\ KA/2005/60362
		NO. DESCRIPTION	MATERIAL	FINISH	SGS REPORT NO