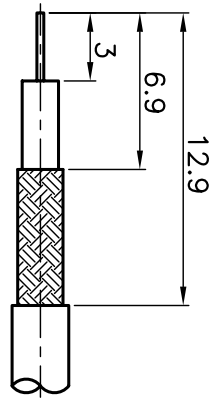
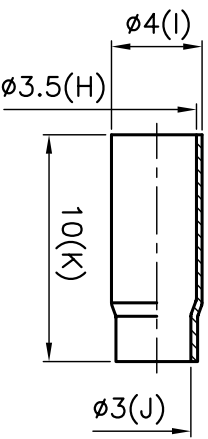
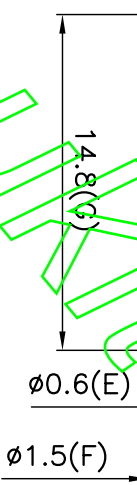
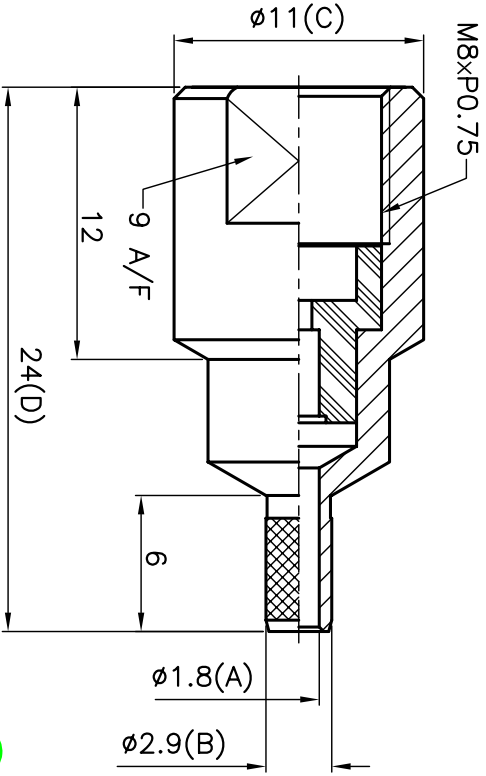


| ISS | DESCRIPTION | DATE |
|-----|-------------|------|
| | | |

REVISIONS



CABLE STRIPPING DIM'S



1. CRIMPED FERRULE
2. CONTACT PIN TO SOLDER

- NOTES: FINISH (PLATING THICKNESS IN MICRO-INCHES)
1. BRASS PER QQ-B-626
 2. NICKEL PL 70 MIN THICK OVER COPPER STRIKE
 3. GOLD PL FLUSH OVER NICKEL PL 70 MIN THICK OVER COPPER STRIKE
 4. BRASS JIS H 3250, C 2700

CONNECTORS CABLES
CRS
SPECIALISTS LTD

TITLE: FME MALE CRIMP
(FOR RG174)

PART NO: FMEPCR174

DRAWING NO:

| | |
|-------|---------------------------------------|
| APRD: | UNLESS OTHERWISE SPECIFIED TOLERANCES |
| CHKD: | 0.5-6 = ±0.2 |
| DR: | >6-30 = ±0.4 |
| | >30-120 = ±0.6 |
| | >120-315 = ±1.0 |
| | >315-1000 = ±1.6 |
| | ANGLES = ±5° |

| | |
|-----------------|------------|
| DATE: 02/04/06" | UNIT: mm |
| SHEET: . | SCALE: 3/1 |

| NO. | DESCRIPTION | MATERIAL | FINISH | SGS REPORT NO |
|-----|-------------|----------|--------|-------------------------------|
| 1 | FERRULE | NOTE 4 | NOTE 2 | KA/2005/10527 \ KA/2005/60362 |
| 2 | CONTACT PIN | NOTE 1 | NOTE 3 | KA/2005/10527 \ KA/2005/30993 |
| 3 | INSULATOR | DELRLN | WHITE | KA/2005/10531 |
| 4 | BODY | NOTE 1 | NOTE 2 | KA/2005/10527 \ KA/2005/60362 |

YUN-GO.COM