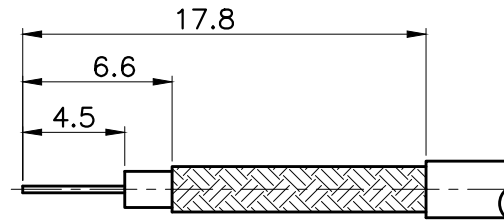
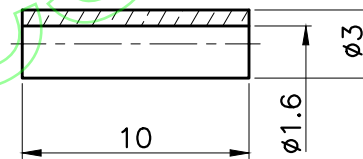
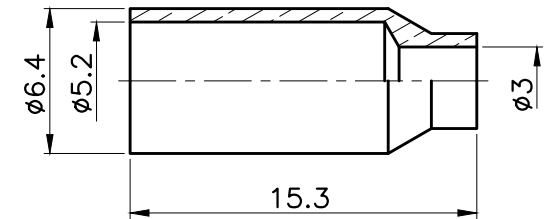
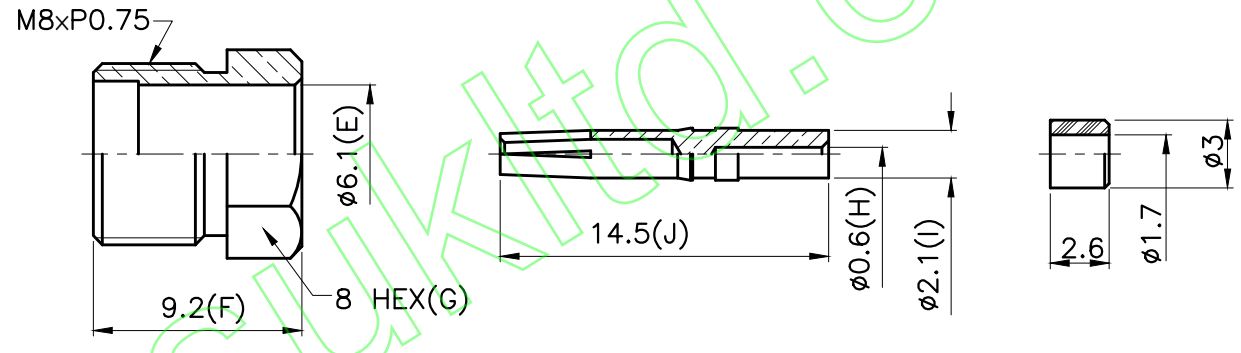
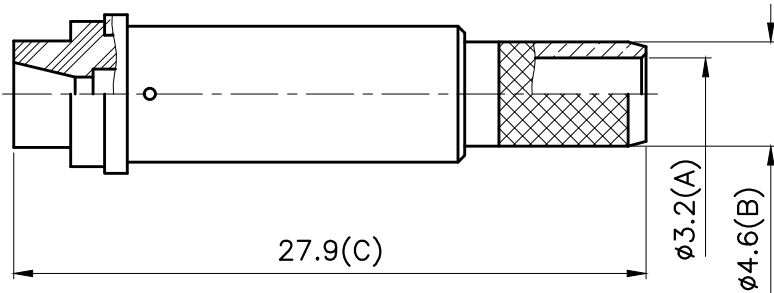


REVISIONS	
ISS	DESCRIPTION \ DATE

RoHS COMPLIANT



RECOMMENDED
CABLE STRIPPING DIM'S



1. CRIMPED FERRULE
HEX CRIMP SIZE .213"
2. CRIMPED CONTACT PIN
HEX CRIMP SIZE .068"

- NOTES: FINISH (PLATING THICKNESS IN MICRO-INCHES)
1. BRASS PER QQ-B-626
 2. NICKEL PL 70 MIN THICK OVER COPPER STRIKE
 3. GOLD FLUSH OVER NICKEL PL 70 MIN THICK OVER COPPER STRIKE
 4. TEFLON MIL-P-19468



TITLE: FME FEMALE CRIMP
(FOR RG174)

PART NO: FMEJCR174

DRAWING NO:

037

APRD:	UNLESS OTHERWISE SPECIFIED TOLERANCES 0.5-6 = ±0.2 >6-30 = ±0.4 >30-120 = ±0.6 >120-315 = ±1 >315-1000 = ±1.6 ANGLES = ±5°	FERRULE	NOTE 1	NOTE 2
CHKD:		SPACER	NOTE 1	NOTE 2
DR:		INSULATOR	NOTE 4	WHITE
DATE: 05/31/10"	UNIT: mm	CONTACT PIN	NOTE 1	NOTE 3
SHEET: .	SCALE: 3/1	NUT	NOTE 1	NOTE 2
		INSULATOR	NOTE 4	WHITE
		BODY	NOTE 1	NOTE 2
		NO. DESCRIPTION	MATERIAL	FINISH