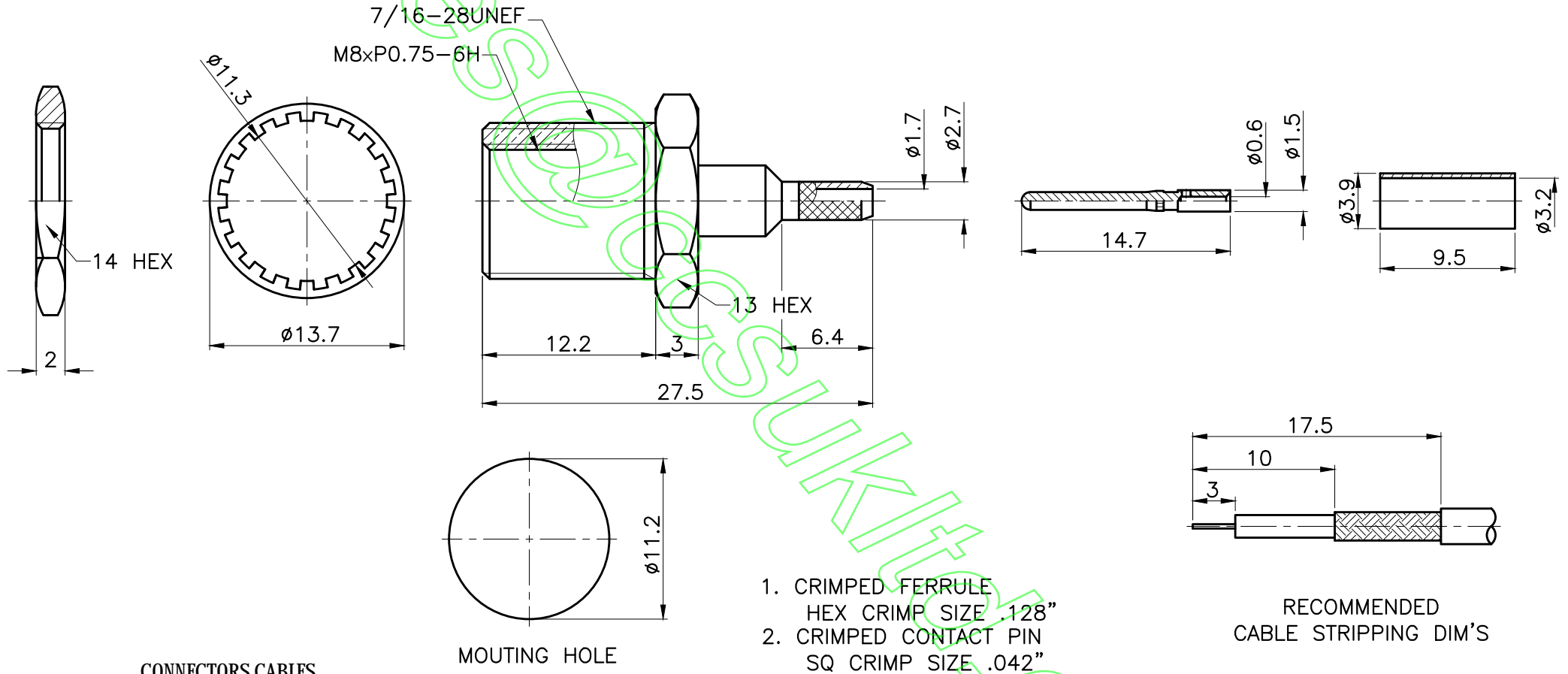


REVISIONS		
ISS	DESCRIPTION	DATE

RoHS COMPLIANT



CONNECTORS CABLES
COS
SPECIALISTS LTD.

MOUNTING HOLE

TITLE: FME MALE BULKHEAD CRIMP (FOR RG316, RG174)		APRD:	UNLESS OTHERWISE SPECIFIED TOLERANCES 0.5-6 = ±0.2 >6-30 = ±0.4 >30-120 = ±0.6 >120-315 = ±1 >315-1000 = ±1.6 ANGLES = ±5°			
PART NO: FMEBPCR174		CHKD:		NUT	BRASS	NICKEL
DRAWING N : 055		DR:		WASHER	BRASS	NICKEL
DATE: 12/26/11"	UNIT: mm		FERRULE	BRASS	NICKEL	
SHEET: .	SCALE: 2.5/1		CONTACT PIN	BRASS	GOLD	
			INSULATOR	TEFLON	WHITE	
			BODY	BRASS	NICKEL	
			NO. DESCRIPTION	MATERIAL	FINISH	