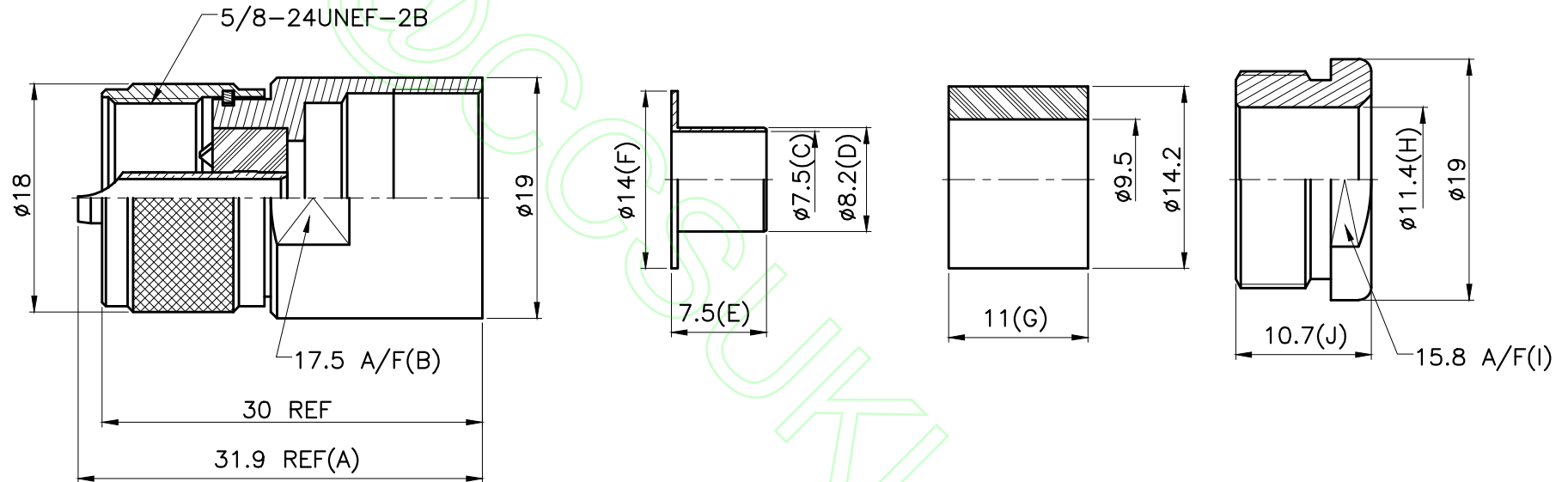


REVISIONS		
ISS	DESCRIPTION	DATE

RoHS COMPLIANT



CONNECTORS CABLES



SPECIALISTS LTD.

TITLE: UHF MALE CLAMP
(FOR LMR400 / RG519)

PART NO: UPSC519

DR. NO:

030

APRD:	UNLESS OTHERWISE SPECIFIED TOLERANCES 0.5-6 = ±0.2 >6-30 = ±0.4 >30-120 = ±0.6 >120-315 = ±1 >315-1000 = ±1.6 ANGLES = ±5°	NUT	BRASS	NICKEL
CHKD:		GASKET	SILICONE	WHITE
DR:		TOP HAT	BRASS	NICKEL
DATE: 11/05/10"	UNIT: mm	RING	BRASS	NICKEL
SHEET: .	SCALE: 2/1	CONTACT PIN	BRASS	GOLD
		INSULATOR	TEFLON	WHITE
		BODY	BRASS	NICKEL
		SHELL	BRASS	NICKEL
		NO. DESCRIPTION	MATERIAL	FINISH