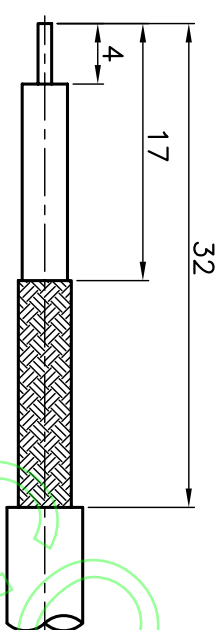
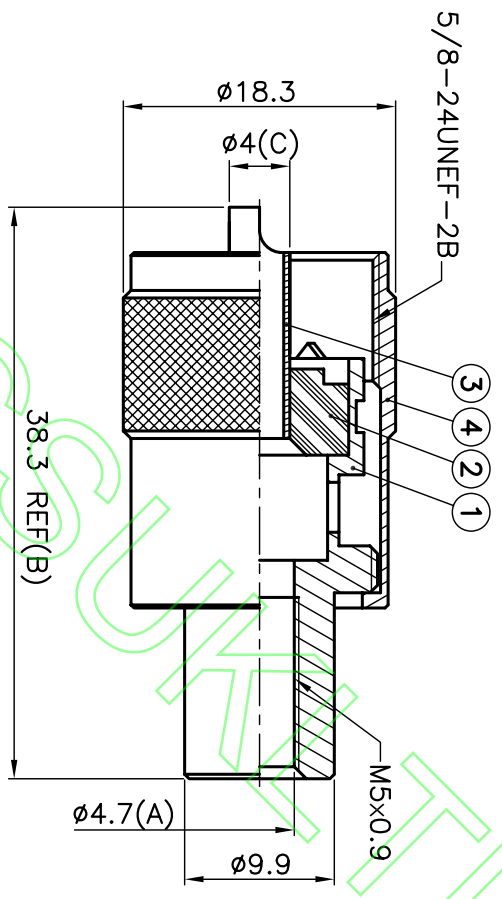


ISS	DESCRIPTION	DATE

REVISIONS



RECOMMENDED
CABLE STRIPPING DIM'S



CONNECTORS CABLES
RFSS
SPECIALISTS LTD.

TITLE: UHF MALE
(FOR RG58)

PART NO: UPS58

DRAWING NO:

ISO 9001 certificate

APRD:	UNLESS OTHERWISE SPECIFIED TOLERANCES			
CHKD:	0.5-6 = ±0.2			
DR:	>6-30 = ±0.4			
DATE: 08/11/09"	>30-120 = ±0.6			
SHEET: .	>120-315 = ±1.1			
	>315-1000 = ±1.6			
	ANGLES = ±1.5°			
	UNIT: mm			
	SCALE: 2/1			
NO.	DESCRIPTION			
1	BODY	ZINC ALLOY	NICKEL	
2	INSULATOR	BAKELITE	NICKEL	
3	CONTACT PIN	P.B	BROWN	
4	SHELL	ZINC ALLOY	NICKEL	

ROHS COMPLIANT