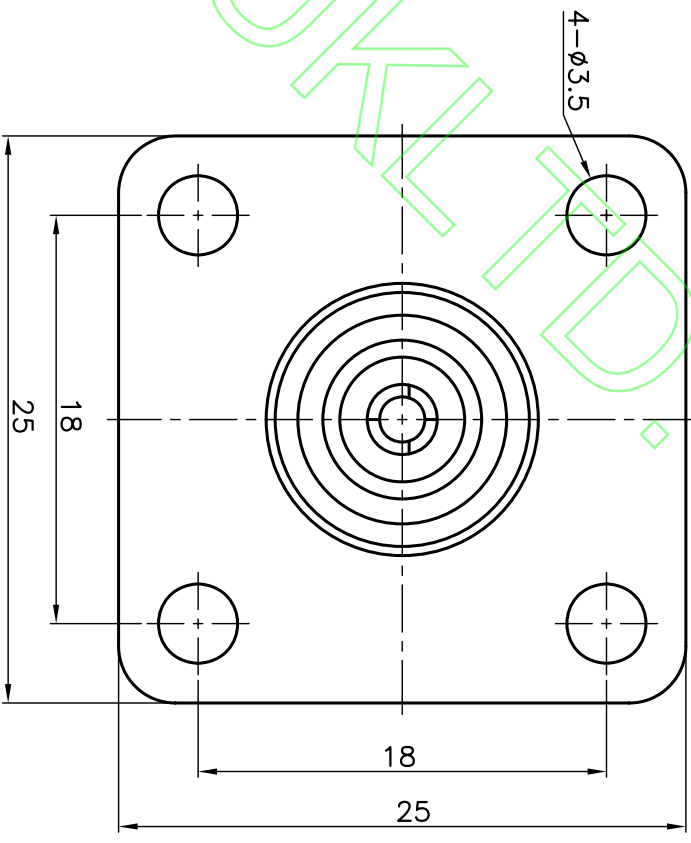
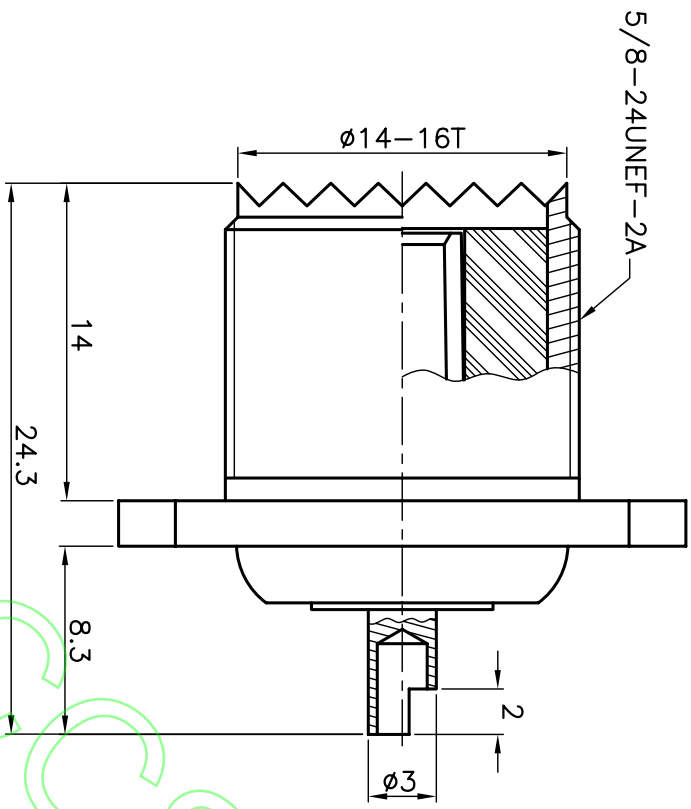


ISS	DESCRIPTION \ DATE

RoHS COMPLIANT



**CONNECTORS CABLES**  
**SCS**  
**SPECIALISTS LTD.**

TITLE: UHF FEMALE SOLDER PANEL  
(SO239)

PART NO: UJPASS  
DRAWING NO: 030

APRD:	UNLESS OTHERWISE SPECIFIED TOLERANCES
CHKD:	0.5-6 = ±0.2
DR:	>6-30 = ±0.4
DATE: 05/09/06"	>30-120 = ±0.6
SHEET: .	>120-315 = ±1
SCALE: 3/1	>315-1000 = ±1.6
	ANGLES = ±5°

NO.	DESCRIPTION	MATERIAL	FINISH	SGS REPORT NO
	CONTACT PIN	BRASS	NICKEL	KA/2005/10527 \ KA/2005/60362
	INSULATOR	DELFIN	WHITE	KA/2005/10531
	BODY	ZINC ALLOY	NICKEL	KA/2005/10528 \ KA/2005/60362

ISO 9001 certificate