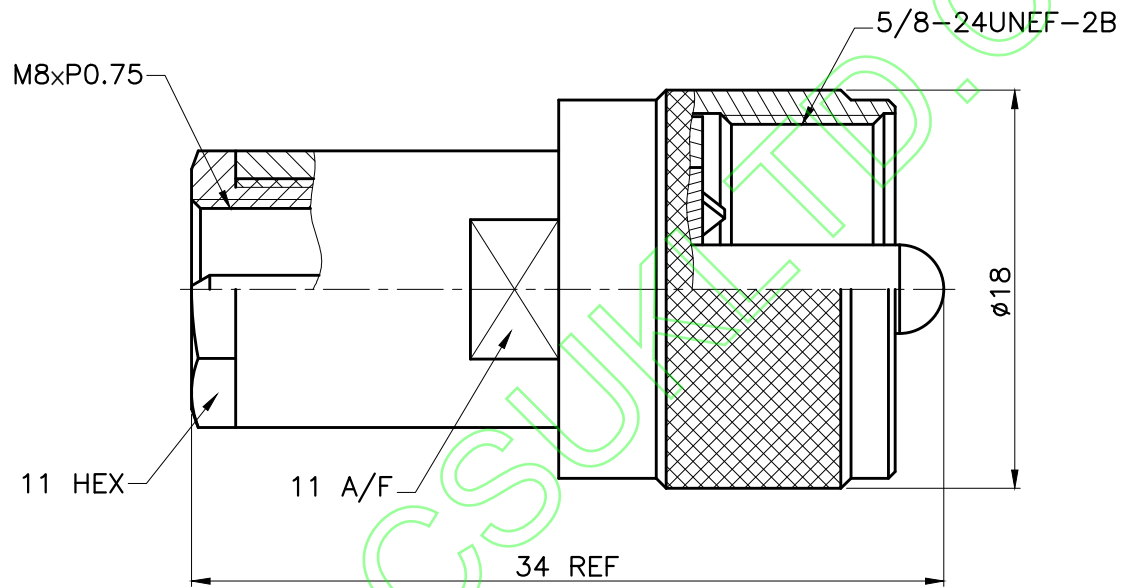


REVISIONS		
ISS	DESCRIPTION	DATE

RoHS COMPLIANT



CONNECTORS CABLES



SPECIALISTS LTD.

TITLE: FME MALE TO UHF MALE

PART NO: UPFMEPA50

DRAWING NO:

030

APRD:	UNLESS OTHERWISE SPECIFIED TOLERANCES 0.5-6 = ±0.2 >6-30 = ±0.4 >30-120 = ±0.6 >120-315 = ±1 >315-1000 = ±1.6 ANGLES = ±5°			
CHKD:				
DR:				
DATE: 10/08/14"	UNIT: mm	SHELL	BRASS	NICKEL
SHEET: .	SCALE: 3/1	CONTACT PIN	BRASS	GOLD
		INSULATOR	DELRIN	WHITE
		BODY	BRASS	NICKEL
		NO. DESCRIPTION	MATERIAL	FINISH

ISO 9001 certificate