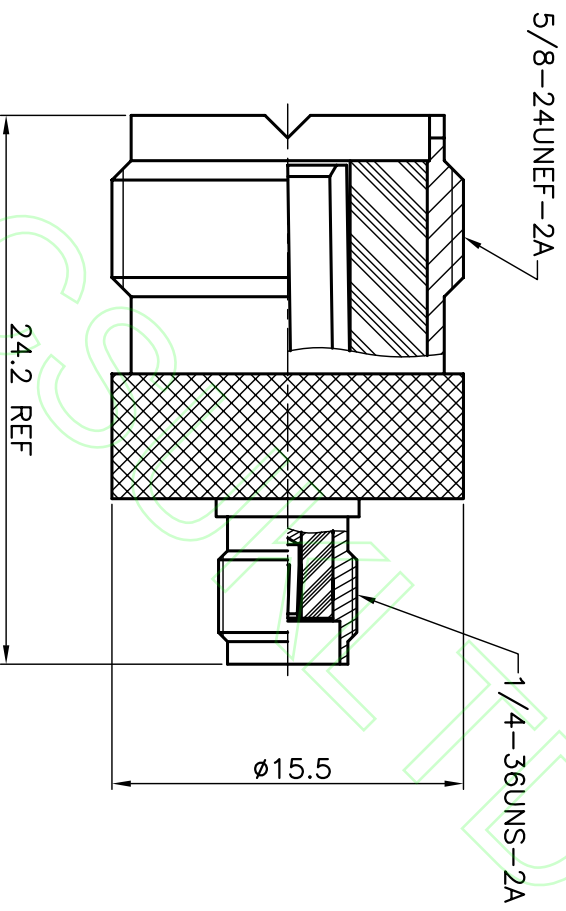


REVISIONS	
ISS	DESCRIPTION \ DATE

RoHS COMPLIANT



CONNECTORS CABLES
HFS
SPECIALISTS LTD.

TITLE: SMA FEMALE TO UHF FEMALE

PART NO: UJSMJASO
DRAWING NO: 029

APRD:	UNLESS OTHERWISE SPECIFIED TOLERANCES 0.5-6 = ± 0.2 >6-30 = ± 0.4 >30-120 = ± 0.6 >120-315 = ± 1.1 >315-1000 = ± 1.6 ANGLES = $\pm 5^\circ$
CHKD:	
DR:	
DATE: 01/14/10"	UNIT: mm
SHEET: .	SCALE: 3/1

DESCRIPTION	MATERIAL	FINISH
CONTACT PIN	BRASS	GOLD
INSULATOR	DELFIN	WHITE
INSULATOR	TEFLON	WHITE
BODY	BRASS	NICKEL
DESCRIPTION	MATERIAL	FINISH