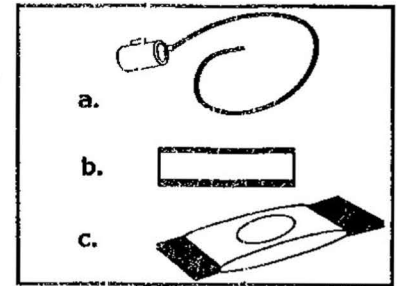


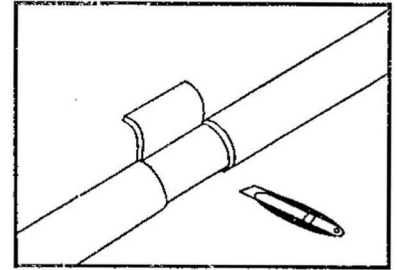
Installation Instructions:

① The materials package includes:

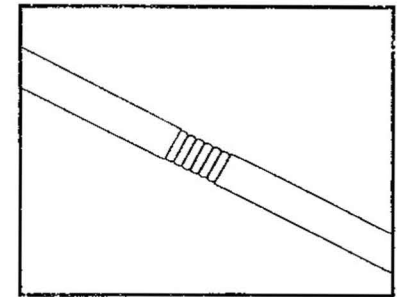
- a) Gemel Grounding Kit
- b) Scale label (for easy length cutting of external sheath)
- c) Bag of silicone grease to lubricate the EPDM gasket surface.



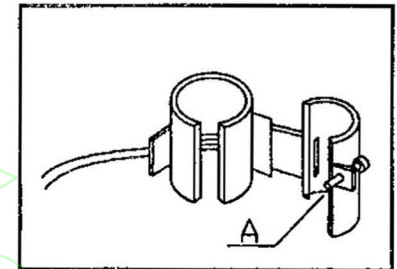
② Select a straight cable section, and then stick the adhesive label to cable sheath. According to corresponding size, make engraving and cutting on the related label marking. Be careful to avoid damages to the outer copper conductor of the cable.



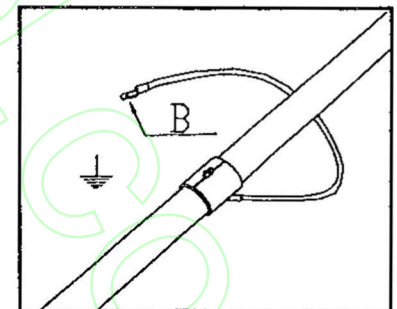
③ Remove the section of the sheath and also the rest of the adhesive label. And then clean the outer conductor to ensure the good electrical contact.



④ Open the contact clip carefully and place it over the copper outer conductor of the cable. Spread uniform coating of silicone grease on the internal and external gasket surface. Close the clamp and tight the fixing screw (A). Make sure that by tightening the screw, the two tangs are in tight contact with each other.



⑤ Fix the cable lug (B) to the ground bar of the tower



REMARKS:

The above installation instructions are for qualified and experienced personnel only. They have been conceived to guide the people to perform operations in the most easy and safe way.

The manufacturer disclaims any liability or responsibility for results due to improper or unsafe installation practices.