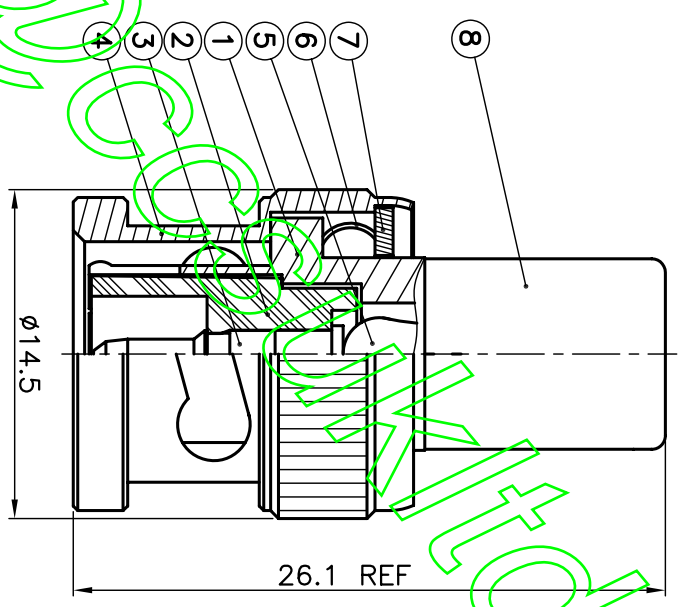
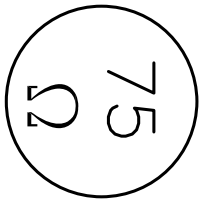


ISS	DESCRIPTION \ DATE

REVISIONS



**CONNECTORS CABLES**  
**OBSS**  
**SPECIALISTS LTD.**

TITLE: BNC MALE TERMINATOR

PART NO: BPTER75  
DRAWING NO: 50906-011

APRD:	UNLESS OTHERWISE SPECIFIED TOLERANCES
CHKD:	0.5-6 = ±0.2
DR:	>6-30 = ±0.4
	>30-120 = ±0.6
	>120-315 = ±1.1
	>315-1000 = ±1.6
	ANGLES = ±5°
DATE: 08/04/09"	UNIT: mm
SHEET: .	SCALE: 3/1

NO.	DESCRIPTION	MATERIAL	FINISH	
8	CAP	BRASS	NICKEL	KA/2005/10527 \ KA/2005/60362
7	WASHER	STEEL	NICKEL	KA/2005/10523 \ KA/2005/60362
6	SPRING	SK-5	NICKEL	KA/2005/10524 \ KA/2005/60362
5	RESISTOR 75 OHM ±1% 0.5W			SZ050816068EC-8.7
4	SHELL	BRASS	NICKEL	KA/2005/10527 \ KA/2005/60362
3	CONTACT PIN	BRASS	GOLD	KA/2005/10527 \ KA/2005/30993
2	INSULATOR	DELTRIN	WHITE	KA/2005/10531
1	BODY	BRASS	NICKEL	KA/2005/10527 \ KA/2005/60362
				SGS REPORT NO

ISO 9001 certificate

YUN-CO.COM