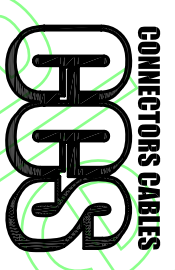
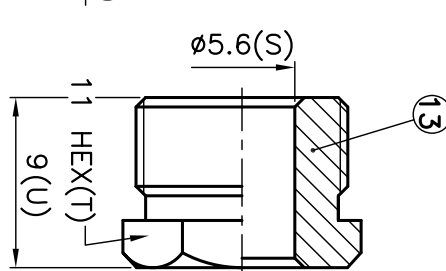
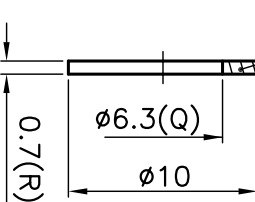
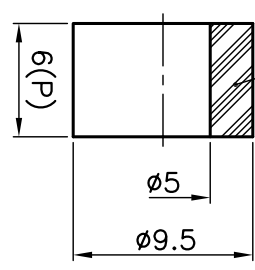
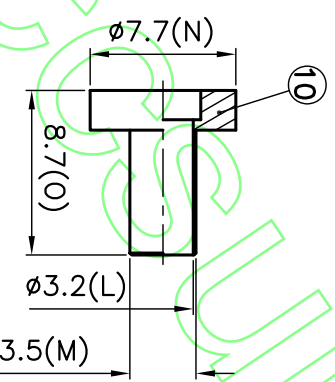
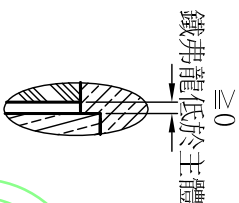
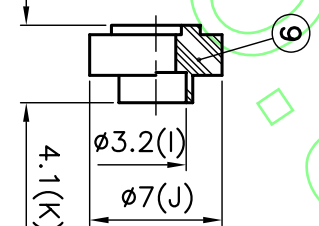
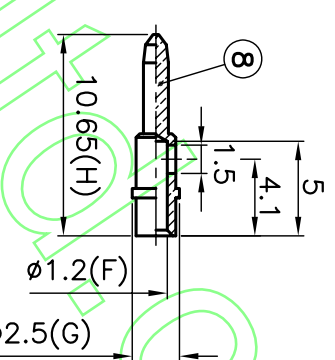
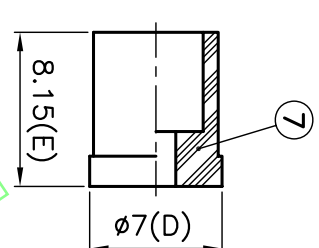
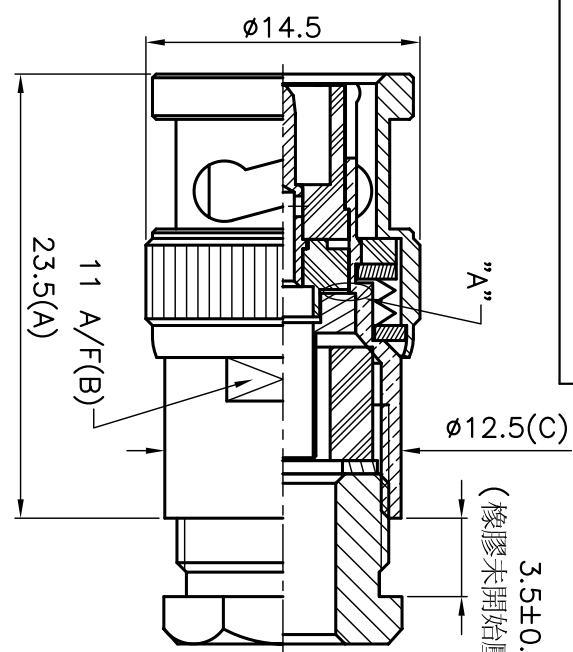


ISS	REVISIONS
B1	DESCRIPTION \ DATE
	主體、中心針及其餘金屬零件皆改為鍍銀 05/23/12"

RoHS COMPLIANT



TITLE: BNC MALE CLAMP
(FOR RG58/U, 223/U)

PART NO: BPC58SS

DRAWING NO: 030

APRD: _____

CHKD: _____

DR: _____

DATE: 05/23/12"

SHEET: .

UNIT: mm

SCALE: 2.5/1

UNLESS OTHERWISE SPECIFIED TOLERANCES

0.5-6 = ±0.2

>6-30 = ±0.4

>30-120 = ±0.6

>120-315 = ±1.0

>315-1000 = ±1.6

ANGLES = ±1.5°

NO.	DESCRIPTION	MATERIAL	FINISH
13	NUT	BRASS	SILVER
12	WASHER	BRASS	SILVER
11	GASKET	SILICONE	WHITE
10	TOP HAT	BRASS	SILVER
9	INSULATOR	TEFLON	WHITE
8	CONTACT PIN	BRASS	SILVER
7	INSULATOR	TEFLON	WHITE
6	WASHER	STEEL	SILVER
5	SPRING	STEEL	SILVER
4	C WASHER	STEEL	SILVER
3	GASKET	SILICONE	RED
2	BODY	BRASS	SILVER
1	SHELL	BRASS	SILVER