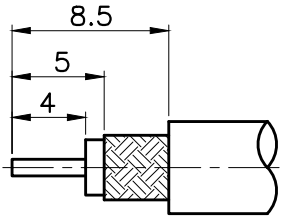
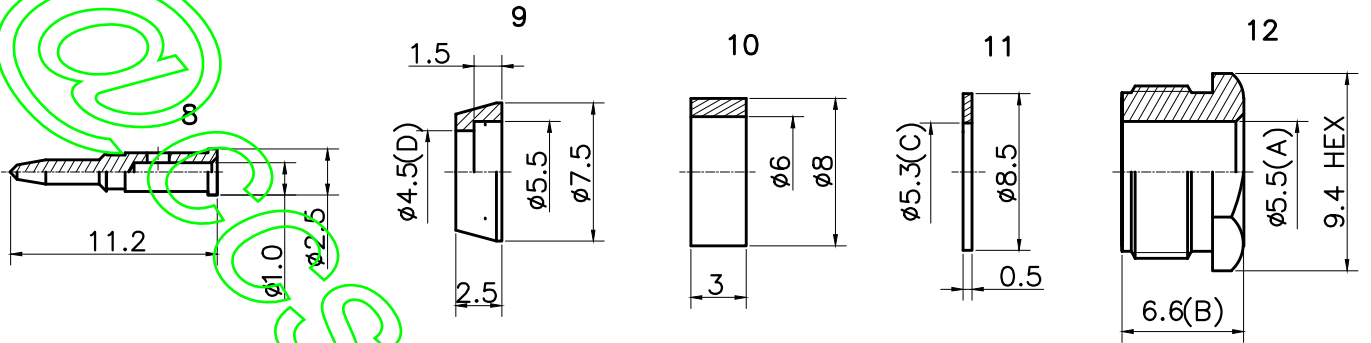
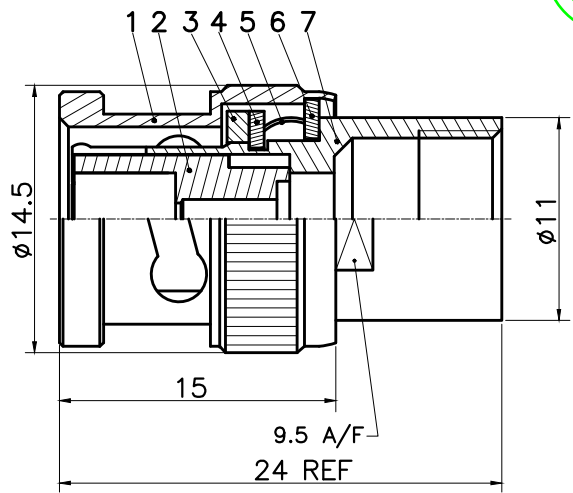


REVISIONS	
ISS	DESCRIPTION \ DATE

RoHS COMPLIANT



RECOMMENDED
CABLE STRIPPING DIM'S



TITLE: BNC MALE CLAMP (FOR RG58)
PART NO: BPSC58D
DRAWING NO:

APRD:
CHKD:
DR:
UNLESS OTHERWISE SPECIFIED TOLERANCES
0.5-6 = ±0.2
>6-30 = ±0.4
>30-120 = ±0.6
>120-315 = ±1
>315-1000 = ±1.6
ANGLES = ±5°
DATE: 09/20/03" UNIT: mm
SHEET: . SCALE: 2.5/1

12	NUT	ZINC ALLOY/NICKEL PLATE
11	WASHER	STEEL/NICKEL PLATE
10	GASKET	RUBBER
9	CLAMP	BRASS/NICKEL PLATE
8	CONTACT	BRASS/GOLD PLATE
7	BODY	BRASS/NICKEL PLATE
6	WASHER	STEEL/NICKEL PLATE
5	SPRING	SK-5/NICKEL PLATE
4	WASHER	STEEL/NICKEL PLATE
3	GASKET	RUBBER
2	INSULATOR	DELTRIN
1	SHELL	ZINC ALLOY/NICKEL PLATE
NO.	DESCRIPTION	MATERIAL