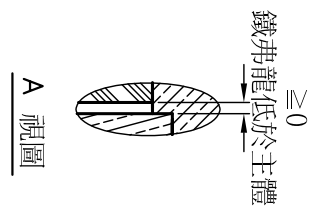
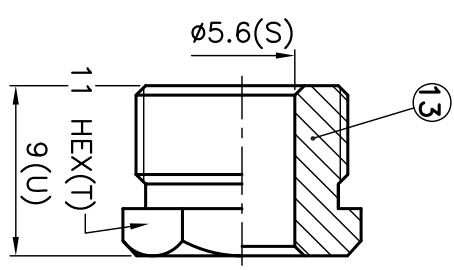
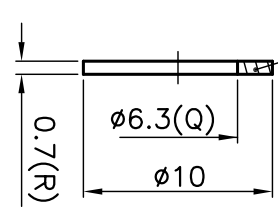
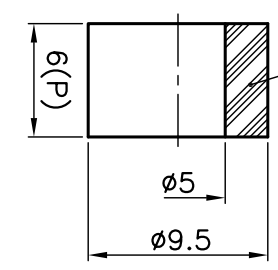
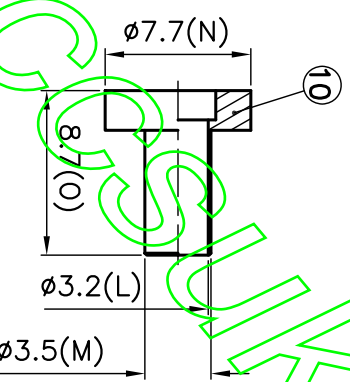
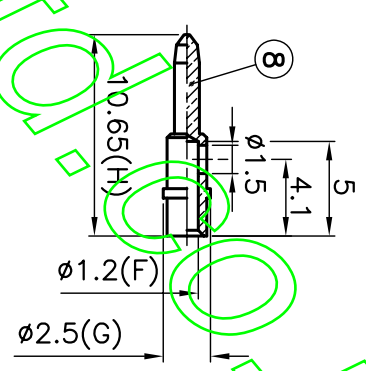
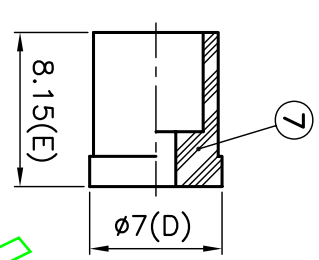
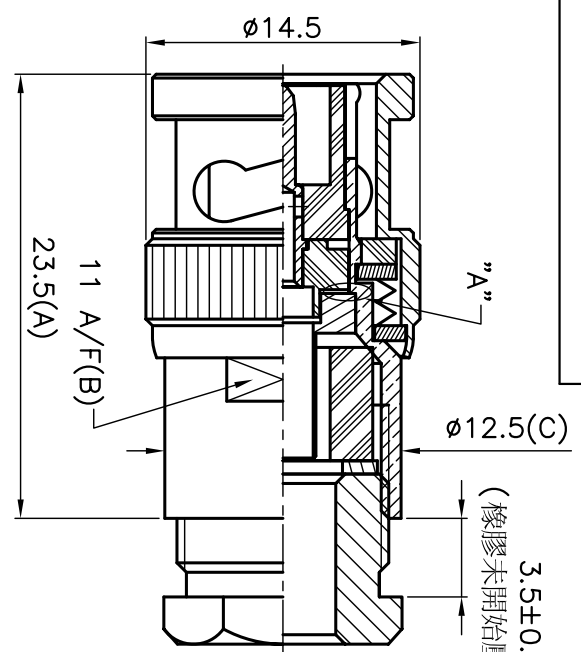


ISS	REVISIONS
B1	DESCRIPTION \ DATE
	主體、中心針及其餘金屬零件皆改為鍍銀 / 05/23/12"

RoHS COMPLIANT



CONNECTORS CABLES
HFS
SPECIALISTS LTD.

TITLE: BNC MALE CLAMP
(FOR RG58/U, 223/U)

PART NO: BPSC223SS

DR NO: 030

APRD: UNLESS OTHERWISE SPECIFIED TOLERANCES
0.5-6 = ± 0.2
>6-30 = ± 0.4
>30-120 = ± 0.6
>120-315 = ± 1.0
>315-1000 = ± 1.6
ANGLES = $\pm 15^\circ$

CHKD:

DR:

DATE: 05/23/12"

SHEET: .

NO.	DESCRIPTION	MATERIAL	FINISH
13	NUT	BRASS	SILVER
12	WASHER	BRASS	SILVER
11	GASKET	SILICONE	WHITE
10	TOP HAT	BRASS	SILVER
9	INSULATOR	TEFLON	WHITE
8	CONTACT PIN	BRASS	SILVER
7	INSULATOR	TEFLON	WHITE
6	WASHER	STEEL	SILVER
5	SPRING	STEEL	SILVER
4	C WASHER	STEEL	SILVER
3	GASKET	SILICONE	RED
2	BODY	BRASS	SILVER
1	SHELL	BRASS	SILVER
			FINISH