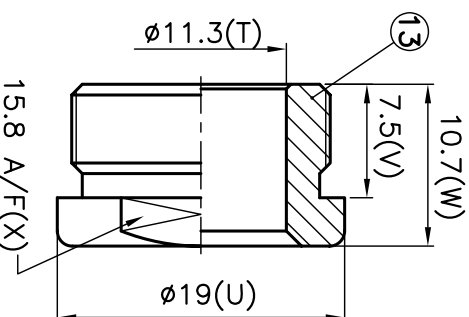
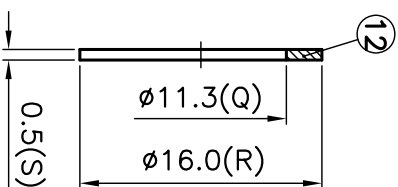
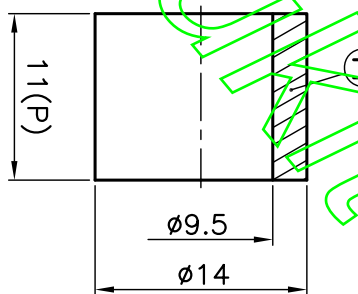
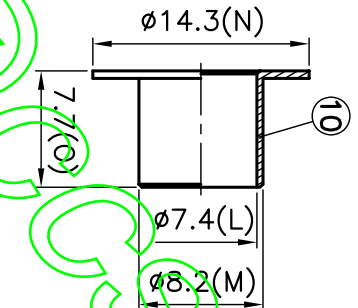
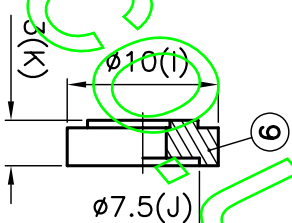
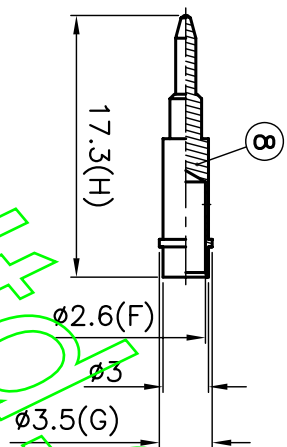
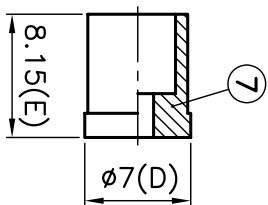
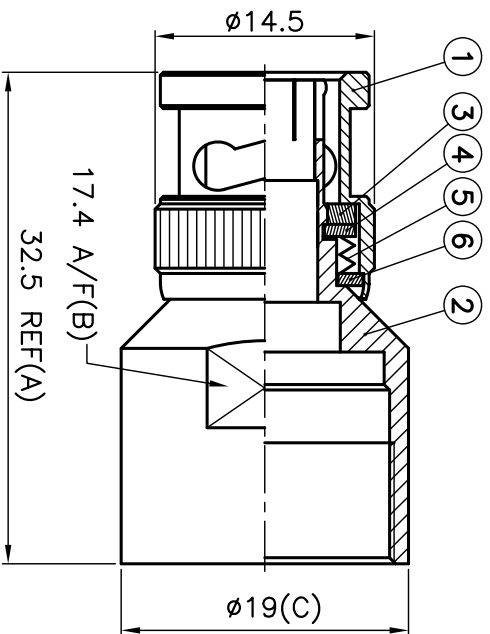


ISS	REVISIONS	DESCRIPTION \ DATE

RoHS COMPLIANT



CONNECTORS CABLES
BBS
SPECIALISTS LTD.

TITLE: BNC MALE CLAMP
(FOR RG214/U)

APRD: _____
CHKD: _____
DR: _____

UNLESS OTHERWISE SPECIFIED TOLERANCES
0.5-6 = ±0.2
>6-30 = ±0.4
>30-120 = ±0.6
>120-315 = ±1.0
>315-1000 = ±1.6
ANGLES = ±5°

PART NO: BPSC214
DRAWING NO: 30 SHEET: .

DATE: 11/26/08
UNIT: mm
SCALE: 2/1

NO.	DESCRIPTION	MATERIAL	FINISH	SGS REPORT NO
13	NUT	BRASS	NICKEL	KA/2005/10527 \ KA/2005/60362
12	WASHER	BRASS	NICKEL	KA/2005/10527 \ KA/2005/60362
11	GASKET	SILICONE	WHITE	KA/2005/10529
10	TOP HAT	BRASS	NICKEL	KA/2005/10527 \ KA/2005/60362
9	INSULATOR	TEFLON	WHITE	KA/2005/50918
8	CONTACT PIN	BRASS	GOLD	KA/2005/10527 \ KA/2005/30993
7	INSULATOR	TEFLON	WHITE	KA/2005/50918
6	WASHER	STEEL	NICKEL	KA/2005/10523 \ KA/2005/60362
5	SPRING	STEEL	NICKEL	KA/2005/10523 \ KA/2005/60362
4	C WASHER	STEEL	NICKEL	KA/2005/10523 \ KA/2005/60362
3	GASKET	SILICONE	RED	KA/2005/10529
2	BODY	BRASS	NICKEL	KA/2005/10527 \ KA/2005/60362
1	SHELL	BRASS	NICKEL	KA/2005/10527 \ KA/2005/60362