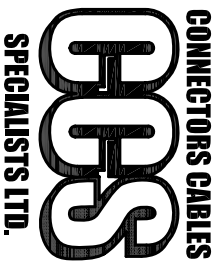
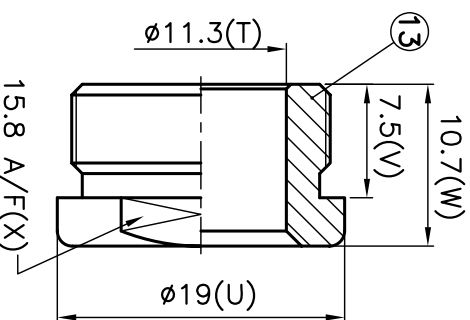
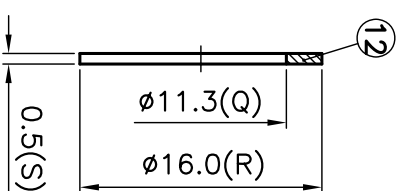
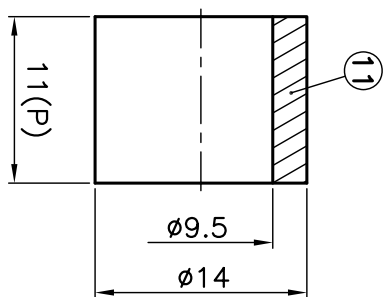
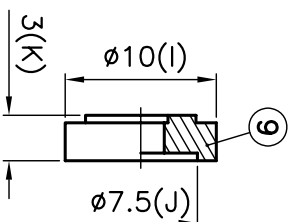
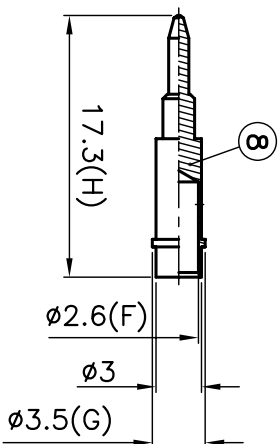
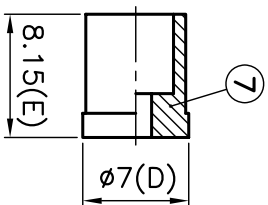
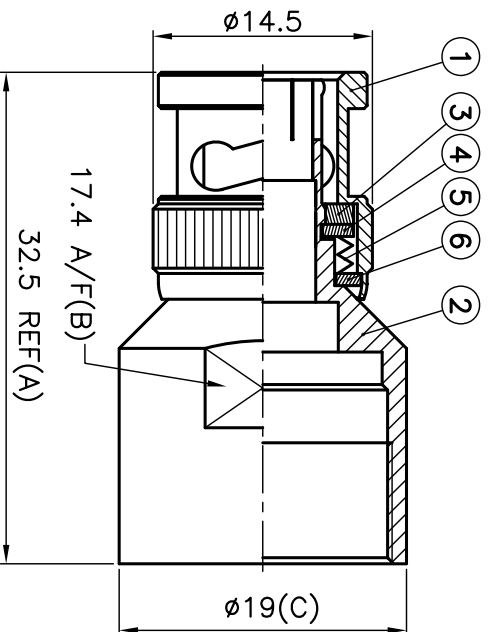


| ISS | REVISIONS | DESCRIPTION \ DATE |
|-----|-----------|--------------------|
|     |           |                    |

RoHS COMPLIANT



TITLE: BNC MALE CLAMP

RG11 CABLE

|       |  |
|-------|--|
| APRD: | UNLESS OTHERWISE SPECIFIED TOLERANCES<br>0.5-6 = ±0.2<br>>6-30 = ±0.4<br>>30-120 = ±0.6<br>>120-315 = ±1.1<br>>315-1000 = ±1.6<br>ANGLES = ±5° |
| CHKD: |  |
| DR:   |  |

|             |        |                 |            |
|-------------|--------|-----------------|------------|
| PART NO:    | BPSC11 | DATE: 11/26/08" | UNIT: mm   |
| DRAWING NO: | 30     | SHEET: .        | SCALE: 2/1 |

| NO. | DESCRIPTION | MATERIAL | FINISH | SGS REPORT NO                 |
|-----|-------------|----------|--------|-------------------------------|
| 13  | NUT         | BRASS    | NICKEL | KA/2005/10527 \ KA/2005/60362 |
| 12  | WASHER      | BRASS    | NICKEL | KA/2005/10527 \ KA/2005/60362 |
| 11  | GASKET      | SILICONE | WHITE  | KA/2005/10529                 |
| 10  | TOP HAT     | BRASS    | NICKEL | KA/2005/10527 \ KA/2005/60362 |
| 9   | INSULATOR   | TEFLON   | WHITE  | KA/2005/50918                 |
| 8   | CONTACT PIN | BRASS    | GOLD   | KA/2005/10527 \ KA/2005/30993 |
| 7   | INSULATOR   | TEFLON   | WHITE  | KA/2005/50918                 |
| 6   | WASHER      | STEEL    | NICKEL | KA/2005/10523 \ KA/2005/60362 |
| 5   | SPRING      | STEEL    | NICKEL | KA/2005/10523 \ KA/2005/60362 |
| 4   | C WASHER    | STEEL    | NICKEL | KA/2005/10523 \ KA/2005/60362 |
| 3   | GASKET      | SILICONE | RED    | KA/2005/10529                 |
| 2   | BODY        | BRASS    | NICKEL | KA/2005/10527 \ KA/2005/60362 |
| 1   | SHELL       | BRASS    | NICKEL | KA/2005/10527 \ KA/2005/60362 |