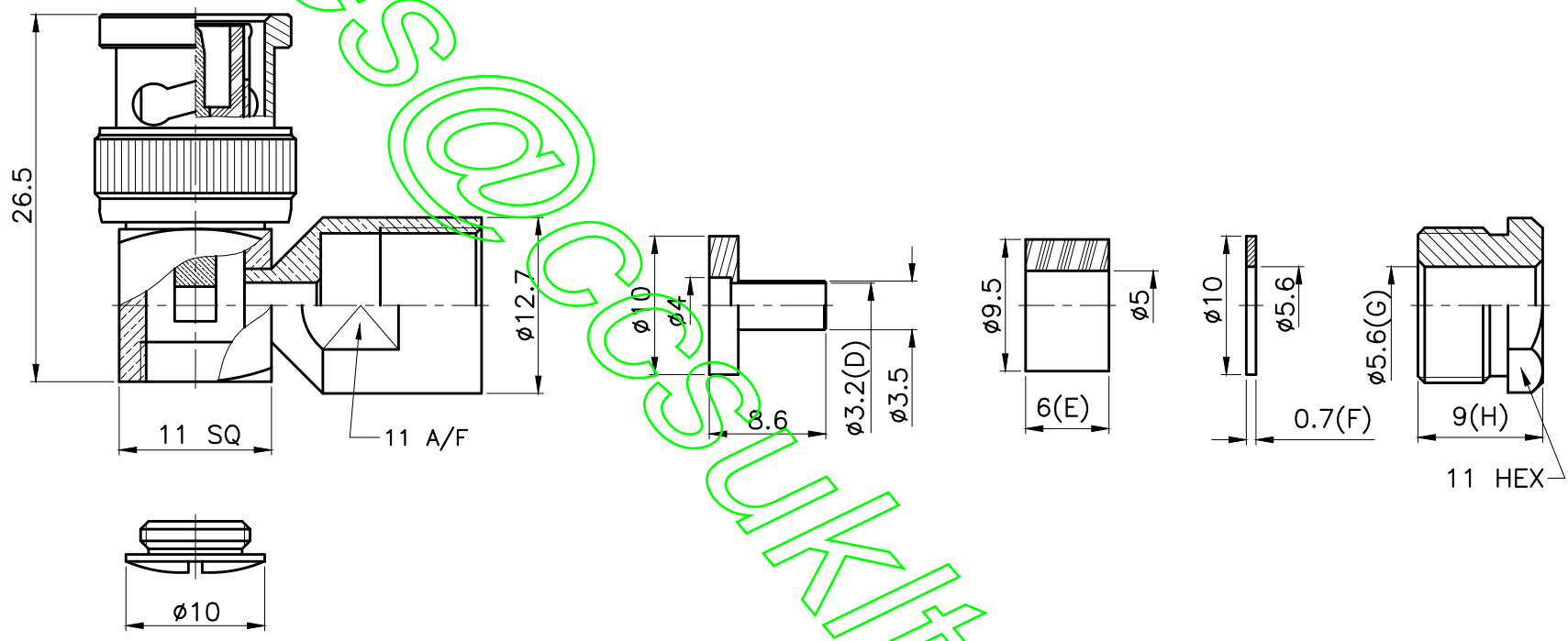


ISS	REVISIONS	DESCRIPTION	DATE

RoHS COMPLIANT



TITLE: BNC MALE RIGHT ANGLE CLAMP
(FOR RG58/U, 223/U)

PART NO: BPRASC5801

DR. NO: 030

APRD: _____
 CHKD: _____
 DR: _____

UNLESS OTHERWISE SPECIFIED TOLERANCES
 0.5-6 = ±0.2
 >6-30 = ±0.4
 >30-120 = ±0.6
 >120-315 = ±1
 >315-1000 = ±1.6
 ANGLES = ±5°

DATE: 06/01/11"

UNIT: mm

SHEET: .

SCALE: 2/1

NO.	DESCRIPTION	MATERIAL	FINISH
	COVER	BRASS	NICKEL
	NUT	BRASS	NICKEL
	WASHER	BRASS	NICKEL
	GASKET	SILICONE	WHITE
	TOP HAT	BRASS	NICKEL
	BNC SHELL	BRASS	NICKEL
	CONTACT PIN	BRASS	GOLD
	INSULATOR	TEFLON	WHITE
	BODY	BRASS	NICKEL