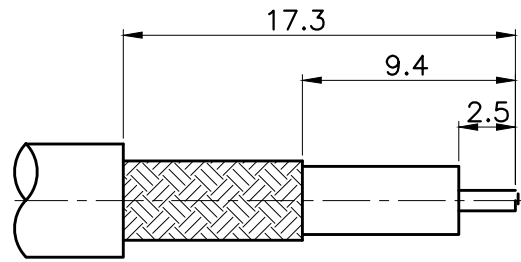
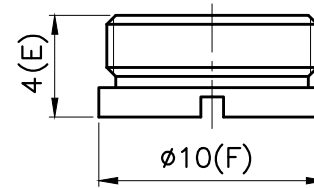
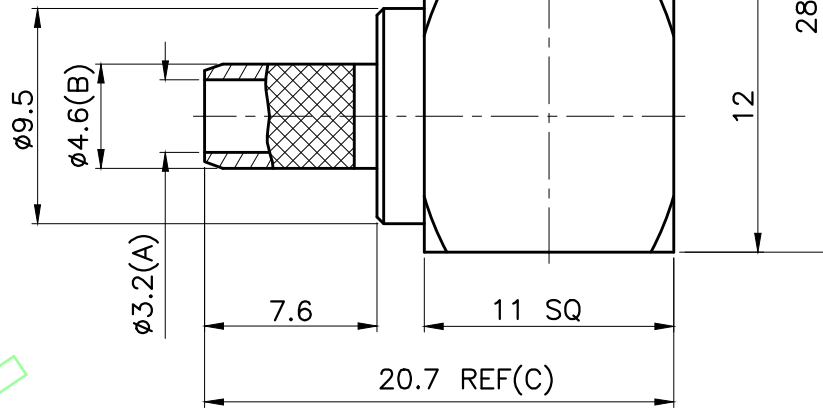
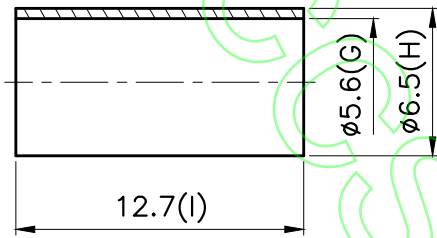


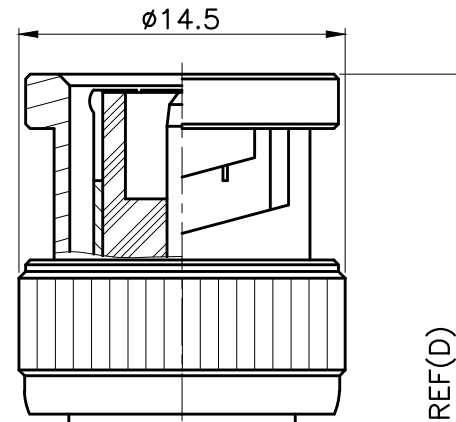
REVISIONS		
ISS	DESCRIPTION	DATE



RECOMMENDED
CABLE STRIPPING DIM'S



1. CRIMPED FERRULE
HEX CRIMP SIZE .213"
2. CONTACT PIN TO SOLDER



RoHS COMPLIANT



TITLE: BNC MALE RIGHT ANGLE CRIMP
(FOR RG58/U)

PART NO: BPRACS5801

DRAWING NO:

030

DATE: 07/24/09"

UNIT: mm

SHEET: .

SCALE: 3/1

UNLESS OTHERWISE
SPECIFIED TOLERANCES
0.5-6 = ±0.2
>6-30 = ±0.4
>30-120 = ±0.6
>120-315 = ±1
>315-1000 = ±1.6
ANGLES = ±5°

	FERRULE	BRASS	NICKEL	KA/2005/10527\	KA/2005/60362
	SCREW	BRASS	NICKEL	KA/2005/10527\	KA/2005/60362
	SHELL	ZINC ALLOY	NICKEL	KA/2005/10528\	KA/2005/60362
	WASHER	STEEL	NICKEL	KA/2005/10523\	KA/2005/60362
	SPRING	STEEL	NICKEL	KA/2005/10523\	KA/2005/60362
	WASHER	STEEL	NICKEL	KA/2005/10523\	KA/2005/60362
	GASKET	RUBBER	RED	KA/2005/10530	
	CONTACT PIN	BRASS	GOLD	KA/2005/10527\	KA/2005/30993
	INSULATOR	DELTRIN	WHITE	KA/2005/10531	
	BODY	BRASS	NICKEL	KA/2005/10527\	KA/2005/60362
NO.	DESCRIPTION	MATERIAL	FINISH	SGS REPORT NO	