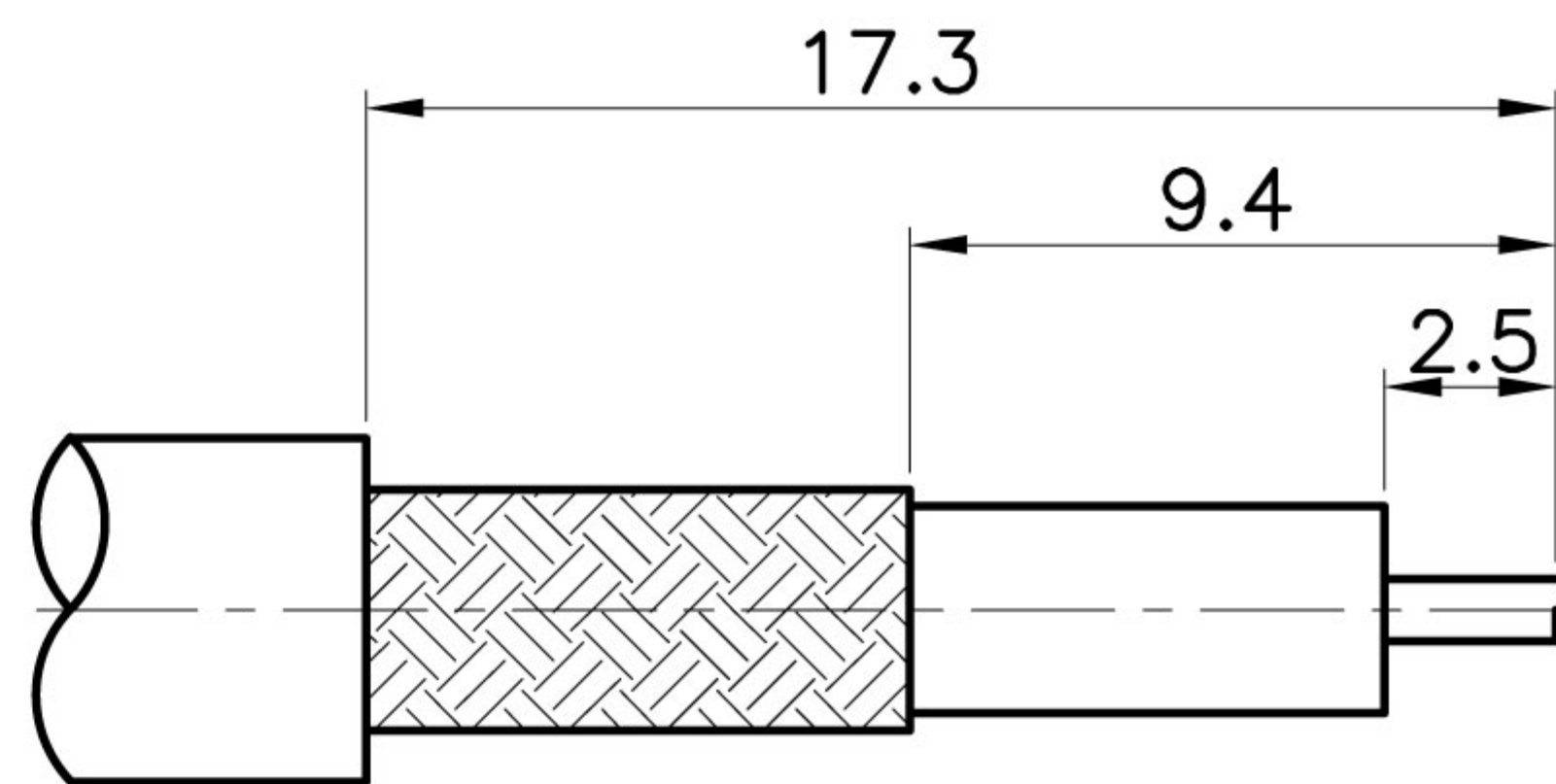
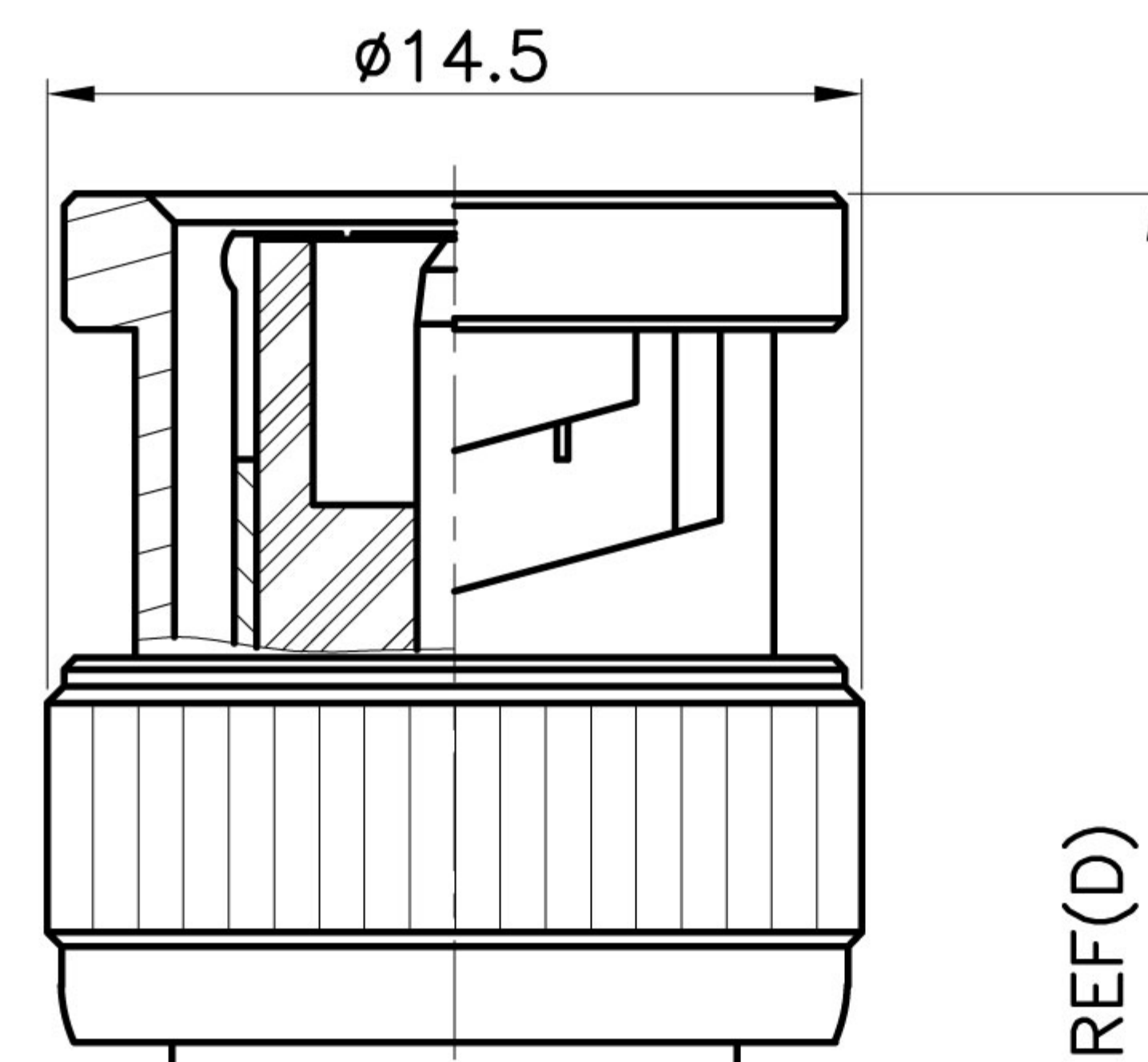


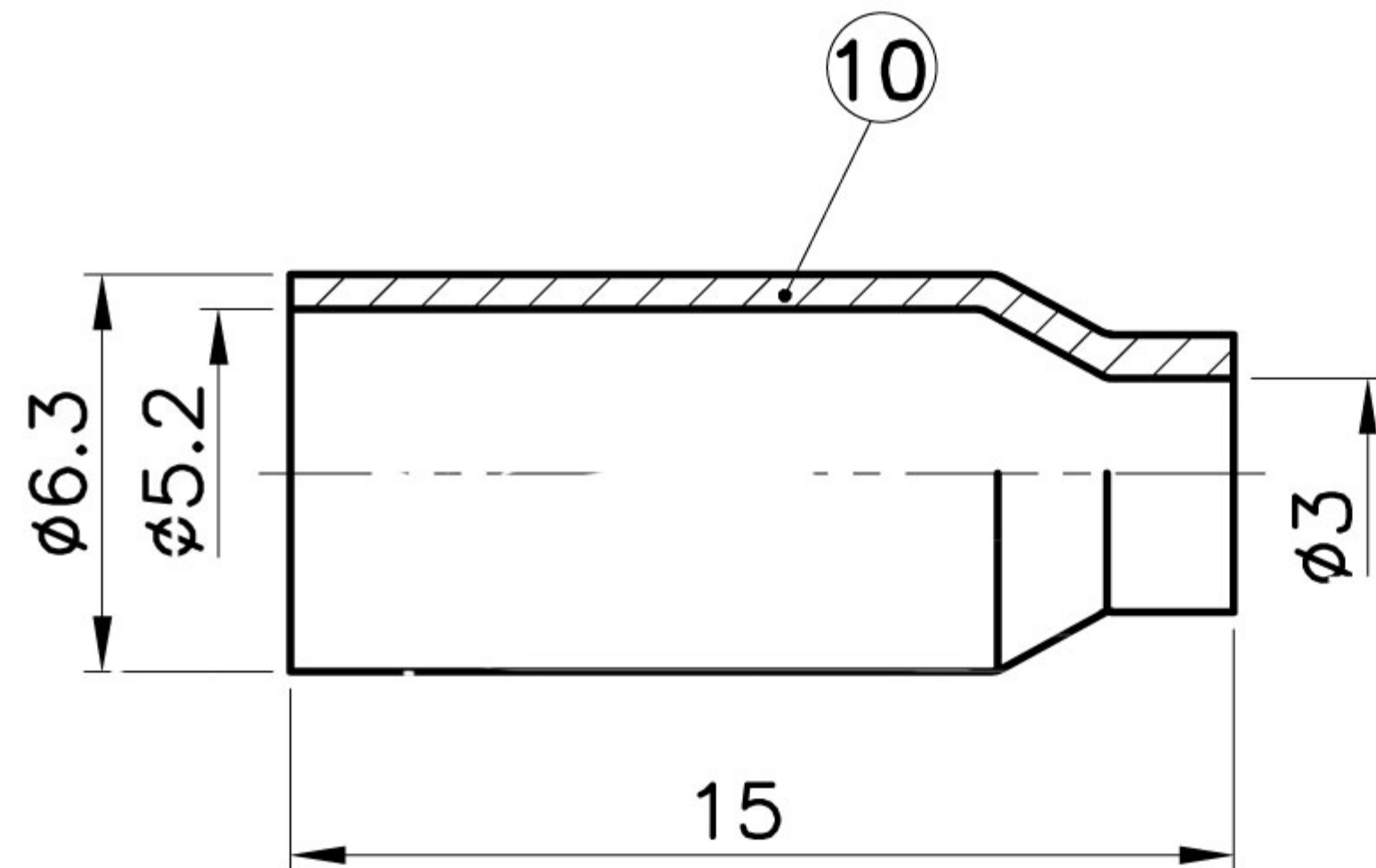
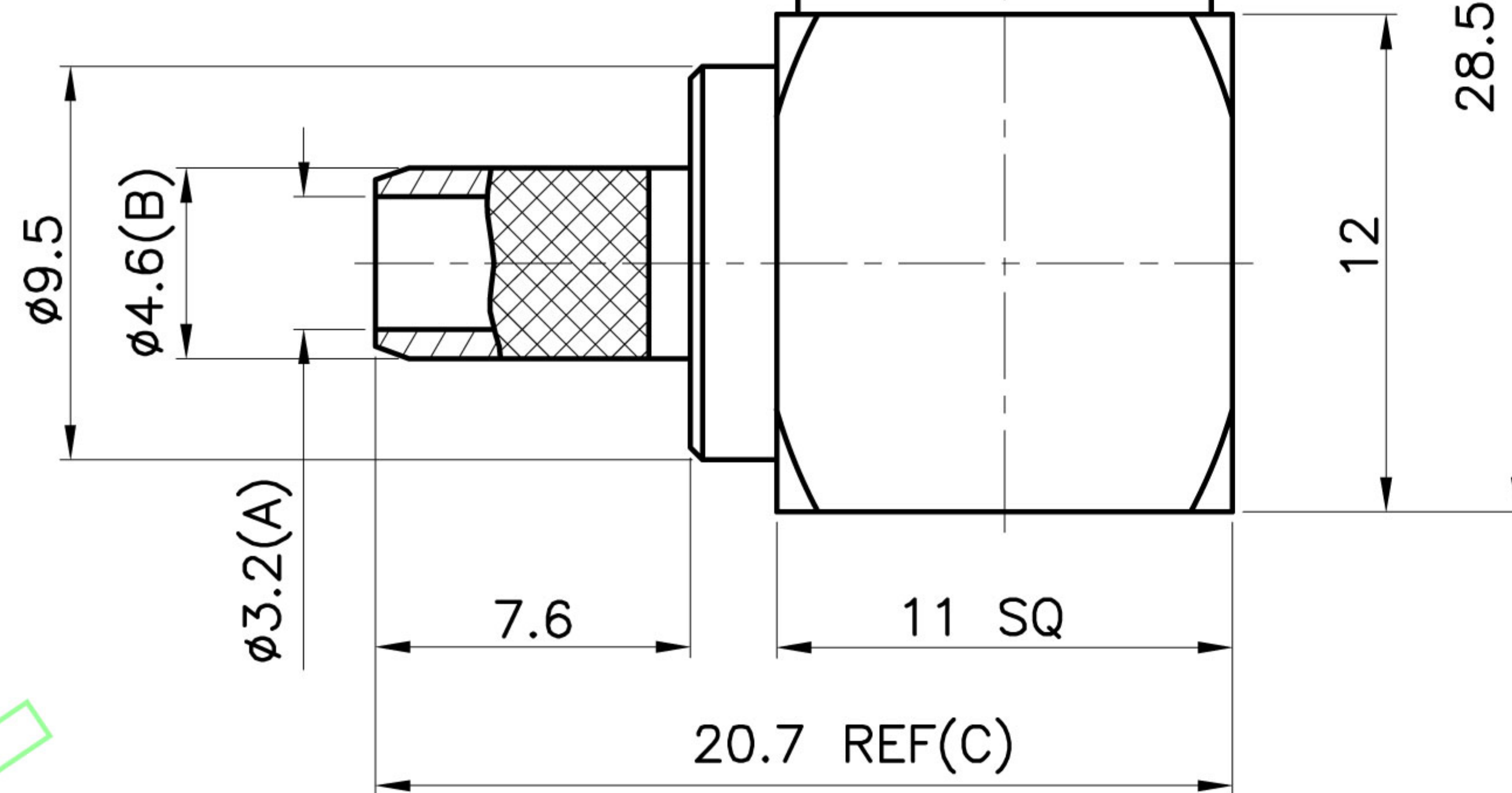
REVISIONS		
ISS	DESCRIPTION	DATE



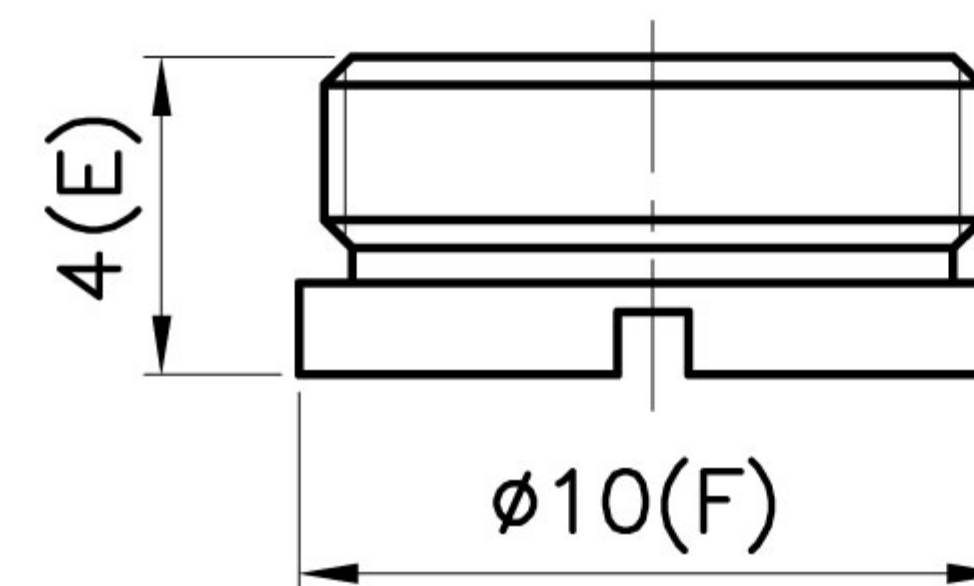
RECOMMENDED
CABLE STRIPPING DIM'S



RoHS COMPLIANT



1. CRIMPED FERRULE
HEX CRIMP SIZE .213"
2. CONTACT PIN TO SOLDER



TITLE: BNC MALE RIGHT ANGLE CRIMP
(FOR RG174AU CABLE)

PART NO: BPRACS174

DRAWING NO: 030

APRD:	UNLESS OTHERWISE SPECIFIED TOLERANCES 0.5-6 = ±0.2 >6-30 = ±0.4 >30-120 = ±0.6 >120-315 = ±1 >315-1000 = ±1.6 ANGLES = ±5°
CHKD:	
DR:	
DATE: 07/24/09"	UNIT: mm
SHEET: .	SCALE: 3/1

NO.	DESCRIPTION	MATERIAL	FINISH	SGS REPORT NO
	FERRULE	BRASS	NICKEL	KA/2005/10527\ KA/2005/60362
	SCREW	BRASS	NICKEL	KA/2005/10527\ KA/2005/60362
	SHELL	ZINC ALLOY	NICKEL	KA/2005/10528\ KA/2005/60362
	WASHER	STEEL	NICKEL	KA/2005/10523\ KA/2005/60362
	SPRING	STEEL	NICKEL	KA/2005/10523\ KA/2005/60362
	WASHER	STEEL	NICKEL	KA/2005/10523\ KA/2005/60362
	GASKET	RUBBER	RED	KA/2005/10530
	CONTACT PIN	BRASS	GOLD	KA/2005/10527\ KA/2005/30993
	INSULATOR	DELIN	WHITE	KA/2005/10531
	BODY	BRASS	NICKEL	KA/2005/10527\ KA/2005/60362