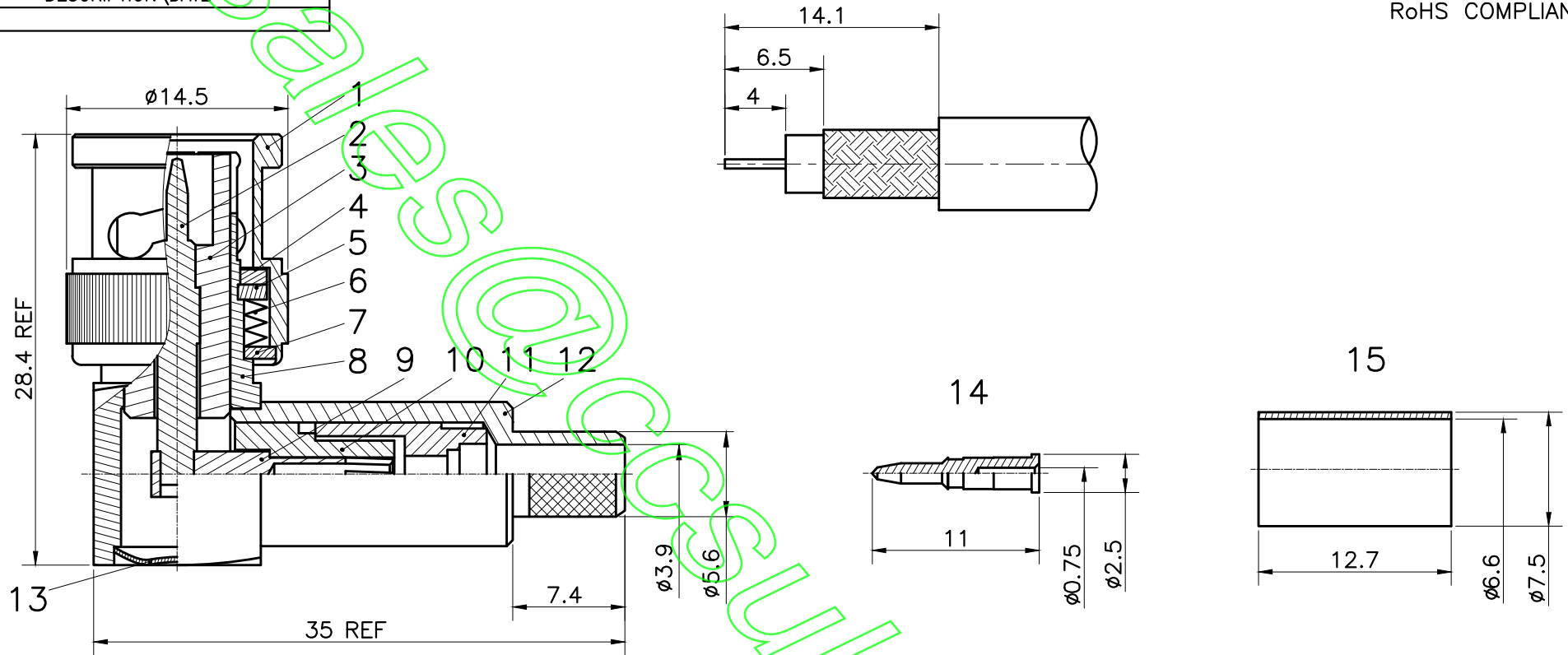


REVISIONS	
ISS	DESCRIPTION \ DATE

RoHS COMPLIANT



1. CRIMPED FERRULE
HEX CRIMP SIZE .256"
2. CRIMPED CONTACT PIN
HEX CRIMP SIZE .068"

CONNECTORS CABLES



SPECIALISTS LTD.

APRD:	UNLESS OTHERWISE SPECIFIED TOLERANCES 0.5-6 = ±0.2 >6-30 = ±0.4 >30-120 = ±0.6 >120-315 = ±1 >315-1000 = ±1.6 ANGLES = ±5°
CHKD:	
DR:	
DATE: 11/30/10"	UNIT: mm
SHEET: .	SCALE: 2.5/1

15	FERRULE	BRASS/NICKEL PLATE
14	CONTACT 3	BRASS/GOLD PLATE
13	CAP	BRASS/NICKEL PLATE
12	BODY 2	BRASS/NICKEL PLATE
11	INSULATOR 3	DELTRIN
10	INSULATOR 2	DELTRIN
9	CONTACT 2	BRASS/GOLD PLATE
8	BODY 1	BRASS/NICKEL PLATE
7	WASHER	STEEL/NICKEL PLATE
6	SPRING	STEEL/NICKEL PLATE
5	C TYPE WASHER	STEEL/NICKEL PLATE
4	GASKET	RUBBER
3	INSULATOR 1	DELTRIN
2	CONTACT 1	BRASS/GOLD PLATE
1	SHELL	BRASS/NICKEL PLATE
NO	DESCRIPTION	MATERIAL

TITLE: BNC MALE RIGHT ANGLE CRIMP
(FOR RG59)

PART NO: BPRACR59

DRAWING NO:

ISO 9001 certificate