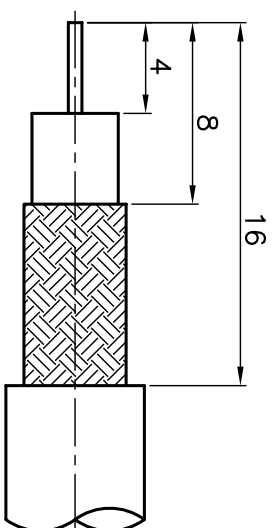
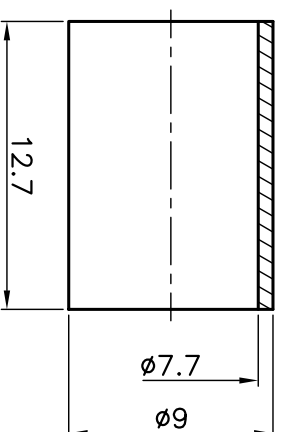
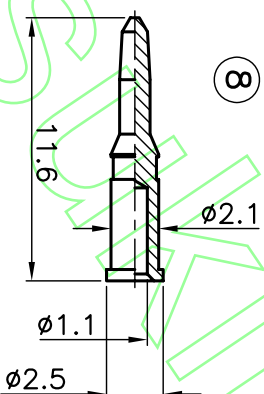
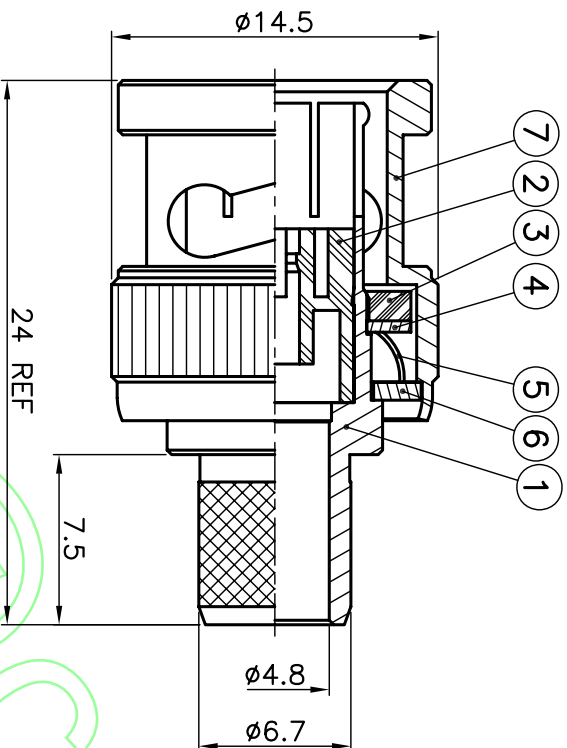


ISS	DESCRIPTION \ DATE

REVISIONS



RECOMMENDED
CABLE STRIPPING DIM'S



1. CRIMPED FERRULE
HEX CRIMP SIZE .305"
2. CRIMPED CONTACT PIN
HEX CRIMP SIZE .068"

CONNECTORS CABLES
HHS
SPECIALISTS LTD.

TITLE: BNC MALE CRIMP (75 ohms)

BNC FOR RG6 CABLE

PART NO.: BPCRRG6

DRAWING NO.:

APRD:	UNLESS OTHERWISE SPECIFIED TOLERANCES
CHKD:	0.5-6 = ±0.2
DR:	>6-30 = ±0.4
	>30-120 = ±10.6
	>120-315 = ±1.6
	>315-1000 = ±1.6
	ANGLES = ±5°
DATE: 05/13/09"	UNIT: mm
SHEET: .	SCALE: 3/1

NO.	DESCRIPTION	MATERIAL	FINISH	SGS REPORT NO
9	FERRULE	BRASS	NICKEL	KA/2005/10527 \ KA/2005/60362
8	CONTACT PIN	BRASS	GOLD	KA/2005/10527 \ KA/2005/30993
7	SHELL	ZINC ALLOY	NICKEL	KA/2005/10528 \ KA/2005/60362
6	WASHER	STEEL	NICKEL	KA/2005/10523 \ KA/2005/60362
5	SPRING	SK-5	NICKEL	KA/2005/10524 \ KA/2005/60362
4	C WASHER	STEEL	NICKEL	KA/2005/10523 \ KA/2005/60362
3	GASKET	PVC	RED	KA/2005/10533
2	INSULATOR	DELIRIN	WHITE	KA/2005/10531
1	BODY	BRASS	NICKEL	KA/2005/10527 \ KA/2005/60362

RoHS COMPLIANT