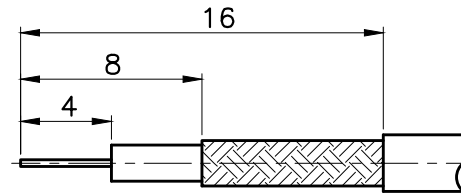
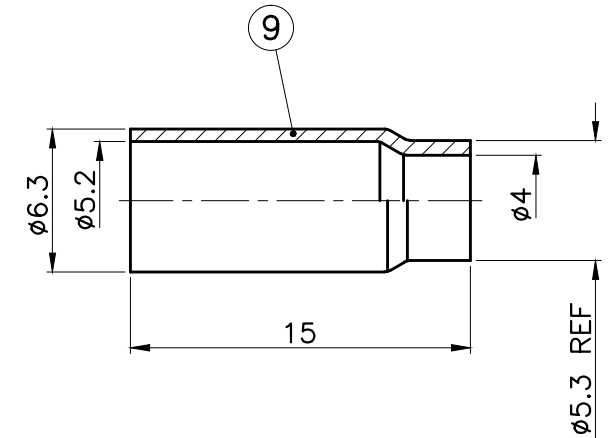
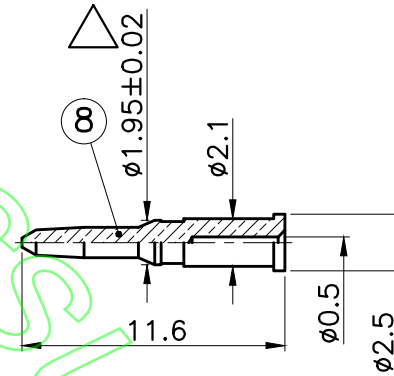
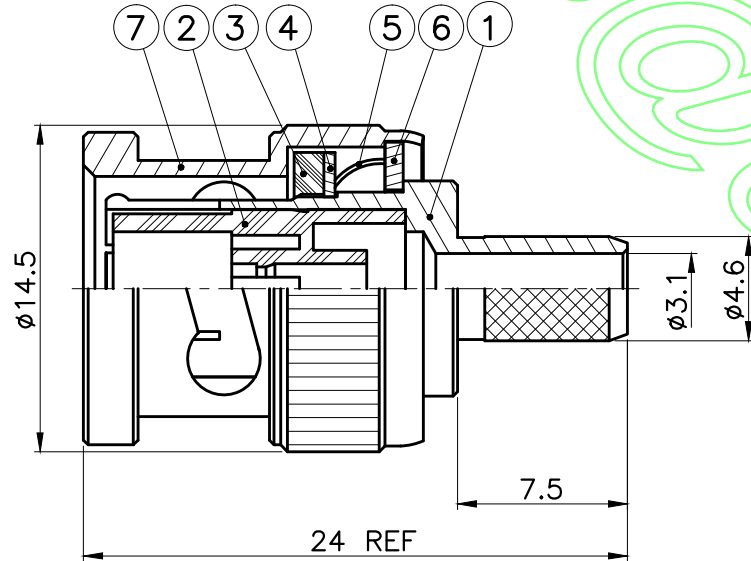


REVISIONS	
ISS	DESCRIPTION \ DATE

RoHS COMPLIANT



RECOMMENDED
CABLE STRIPPING DIM'S



1. CRIMPED FERRULE
HEX CRIMP SIZE .213"
2. CRIMPED CONTACT PIN
HEX CRIMP SIZE .068"

CONNECTORS CABLES
CES
SPECIALISTS LTD.

TITLE: BNC MALE CRIMP

PART NO: BPCRMIN59WHITE

DR NO:

APRD:
CHKD:
DR:

UNLESS OTHERWISE
SPECIFIED TOLERANCES
0.5-6 = ±0.2
>6-30 = ±0.4
>30-120 = ±0.6
>120-315 = ±1
>315-1000 = ±1.6
ANGLES = ±5°

DATE: 07/28/10" UNIT: mm
SHEET: . SCALE: 3/1

9	FERRULE	BRASS	NICKEL	KA/2005/10527\	KA/2005/60362
8	CONTACT PIN	BRASS	GOLD	KA/2005/10527\	KA/2005/30993
7	SHELL	BRASS	NICKEL	KA/2005/10527\	KA/2005/60362
6	WASHER	STEEL	NICKEL	KA/2005/10523\	KA/2005/60362
5	SPRING	SK-5	NICKEL	KA/2005/10524\	KA/2005/60362
4	C WASHER	STEEL	NICKEL	KA/2005/10523\	KA/2005/60362
3	GASKET	PVC	RED	KA/2005/10533	
2	INSULATOR	DELTRIN	WHITE	KA/2005/10531	
1	BODY	BRASS	NICKEL	KA/2005/10527\	KA/2005/60362
NO.	DESCRIPTION	MATERIAL	FINISH	SGS REPORT NO	