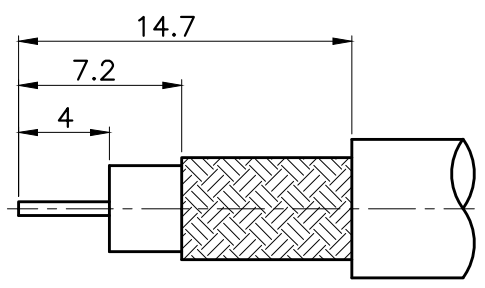
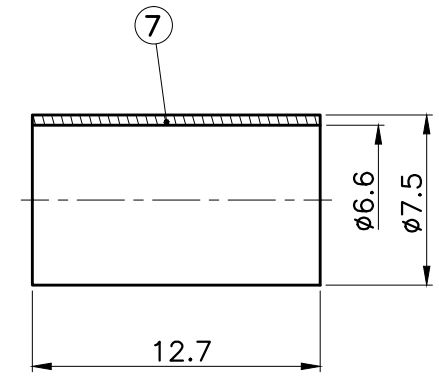
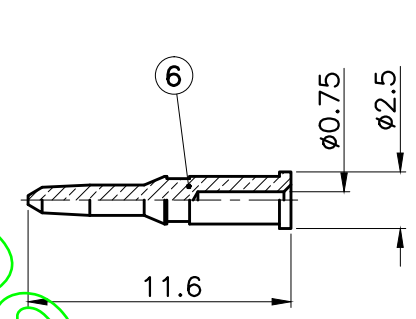
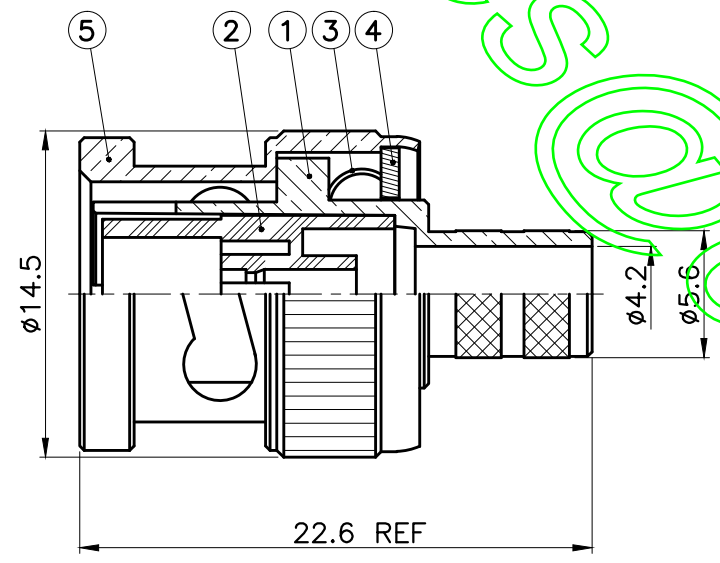


ISS	REVISIONS
	DESCRIPTION \ DATE

RoHS COMPLIANT



RECOMMENDED
CABLE STRIPPING DIM'S



1. CRIMPED FERRULE
HEX CRIMP SIZE .256"
2. CRIMPED CONTACT PIN
HEX CRIMP SIZE .068"



TITLE: BNC MALE CRIMP
(FOR RG59)
PART NO: BPCR59D
DRAWING NO:

APRD:	UNLESS OTHERWISE SPECIFIED TOLERANCES 0.5-6 = ±0.2 >6-30 = ±0.4 >30-120 = ±0.6 >120-315 = ±1 >315-1000 = ±1.6 ANGLES = ±5°
CHKD:	
DR:	
DATE: 10/28/10"	UNIT: mm
SHEET: .	SCALE: 3/1

NO.	DESCRIPTION	MATERIAL	FINISH	SGS REPORT NO
7	FERRULE	BRASS	NICKEL	KA/2005/10527 \ KA/2005/60362
6	CONTACT PIN	BRASS	GOLD	KA/2005/10527 \ KA/2005/30993
5	SHELL	ZINC ALLOY	NICKEL	KA/2005/10528 \ KA/2005/60362
4	WASHER	STEEL	NICKEL	KA/2005/10523 \ KA/2005/60362
3	SPRING	SK-5	NICKEL	KA/2005/10524 \ KA/2005/60362
2	INSULATOR	DEL RIN	WHITE	KA/2005/10531
1	BODY	ZINC ALLOY	NICKEL	KA/2005/10528 \ KA/2005/60362