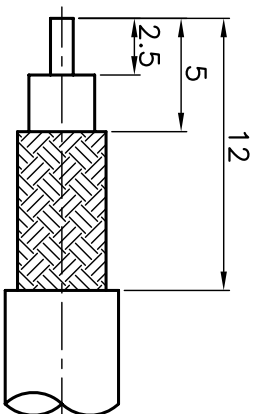
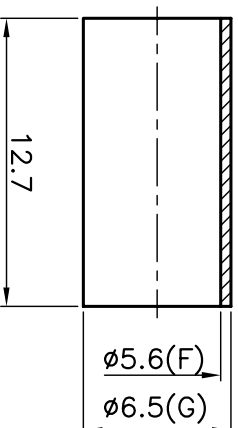
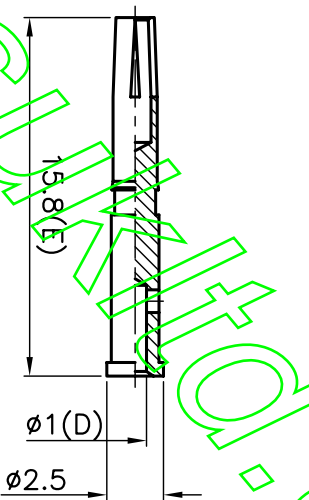
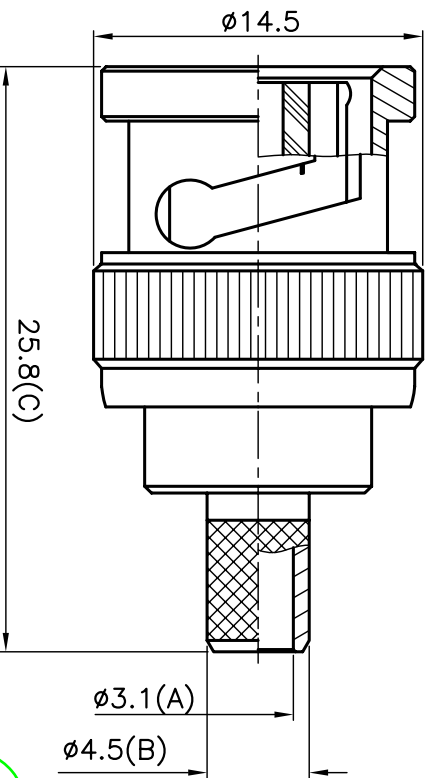


ISS	DESCRIPTION \ DATE

RoHS COMPLIANT



RECOMMENDED  
CABLE STRIPPING DIM'S



1. CRIMPED FERRULE  
HEX CRIMP SIZE .213"
2. CRIMPED CONTACT PIN  
HEX CRIMP SIZE .068"

**CONNECTORS CABLES**  
**BBS**  
**SPECIALISTS LTD**

TITLE: R/P BNC MALE CRIMP  
(FOR RG58)

PART NO: BPCR58R

DR. NO:

APRD:	UNLESS OTHERWISE SPECIFIED TOLERANCES
CHKD:	0.5-6 = ±0.2
DR:	>6-30 = ±0.4
	>30-120 = ±0.6
	>120-315 = ±1.0
	>315-1000 = ±1.6
	ANGLES = ±5°

DATE: 10/30/09"	UNIT: mm
SHEET: .	SCALE: 3/1

NO.	DESCRIPTION	MATERIAL	FINISH
	FERRULE	BRASS	NICKEL
	CONTACT PIN	BRASS	GOLD
	WASHER	BRASS	NICKEL
	SPRING	SK5	NICKEL
	C RING	SK5	NICKEL
	GASKET	RUBBER	RED
	SHELL	BRASS	NICKEL
	INSULATOR	TEFLON	WHITE
	BODY	BRASS	NICKEL
		MATERIAL	FINISH