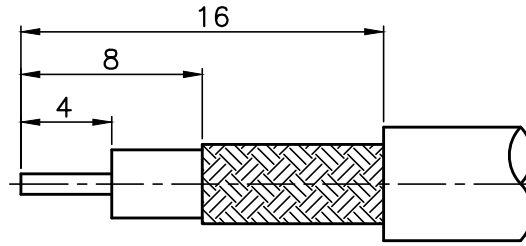
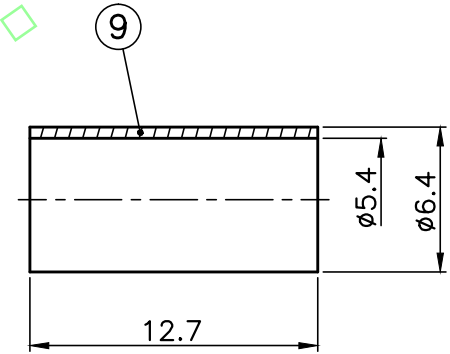
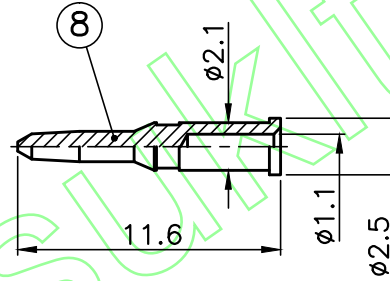
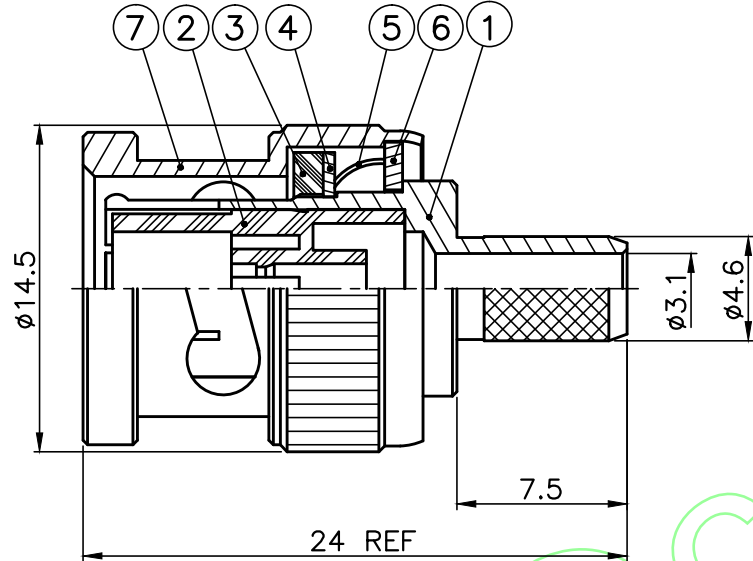


REVISIONS	
ISS	DESCRIPTION \ DATE



RECOMMENDED
CABLE STRIPPING DIM'S

RoHS COMPLIANT



1. CRIMPED FERRULE
HEX CRIMP SIZE .213"
2. CRIMPED CONTACT PIN
HEX CRIMP SIZE .068"

CONNECTORS CABLES



SPECIALISTS LTD.

Temperature Range: -15°C~+60°C

TITLE: BNC MALE CRIMP
(FOR RG58)

PART NO: BPCR58

DRAWING NO:

APRD:

CHKD:

DR:

DATE: 05/29/07"

SHEET: .

UNLESS OTHERWISE
SPECIFIED TOLERANCES
0.5-6 = ±0.2
>6-30 = ±0.4
>30-120 = ±0.6
>120-315 = ±1
>315-1000 = ±1.6
ANGLES = ±5°

UNIT: mm

SCALE: 3/1

9	FERRULE	BRASS	NICKEL	KA/2005/10527\	KA/2005/60362
8	CONTACT PIN	BRASS	GOLD	KA/2005/10527\	KA/2005/30993
7	SHELL	ZINC ALLOY	NICKEL	KA/2005/10528\	KA/2005/60362
6	WASHER	STEEL	NICKEL	KA/2005/10523\	KA/2005/60362
5	SPRING	SK-5	NICKEL	KA/2005/10524\	KA/2005/60362
4	C WASHER	STEEL	NICKEL	KA/2005/10523\	KA/2005/60362
3	GASKET	PVC	RED	KA/2005/10533	
2	INSULATOR	DELTRIN	WHITE	KA/2005/10531	
1	BODY	BRASS	NICKEL	KA/2005/10527\	KA/2005/60362
NO.	DESCRIPTION	MATERIAL	FINISH	SGS REPORT NO	