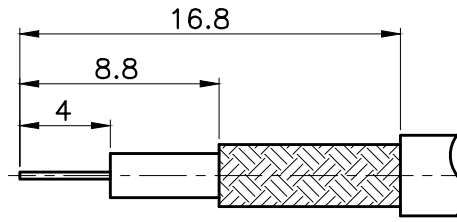
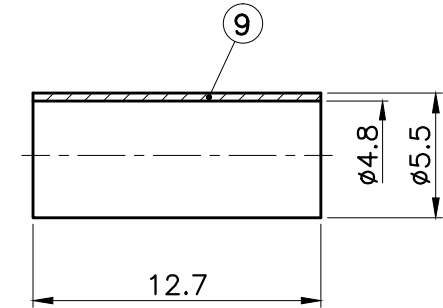
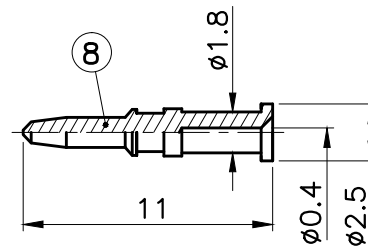
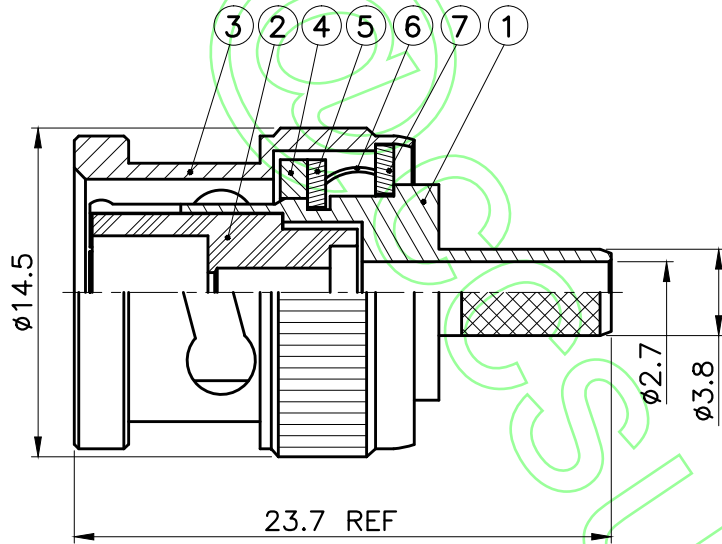


| REVISIONS |             |      |
|-----------|-------------|------|
| ISS       | DESCRIPTION | DATE |
|           |             |      |



RECOMMENDED  
CABLE STRIPPING DIM'S

RoHS COMPLIANT



1. CRIMPED FERRULE  
HEX CRIMP SIZE .187"
2. CRIMPED CONTACT PIN  
HEX CRIMP SIZE .057"

CONNECTORS CABLES



SPECIALISTS LTD.

TITLE: BNC MALE CRIMP

PART NO: BPCR3002

DRAWING NO:

APRD:  
CHKD:  
DR:

DATE: 03/24/06"

SHEET: .

UNLESS OTHERWISE  
SPECIFIED TOLERANCES  
0.5-6 = ±0.2  
>6-30 = ±0.4  
>30-120 = ±0.6  
>120-315 = ±1  
>315-1000 = ±1.6  
ANGLES = ±5°

UNIT: mm

SCALE: 3/1

| NO. | DESCRIPTION | MATERIAL   | FINISH |
|-----|-------------|------------|--------|
| 9   | FERRULE     | BRASS      | NICKEL |
| 8   | CONTACT PIN | BRASS      | GOLD   |
| 7   | WASHER      | STEEL      | NICKEL |
| 6   | SPRING      | SK-5       | NICKEL |
| 5   | WASHER      | STEEL      | NICKEL |
| 4   | GASKET      | PVC        | RED    |
| 3   | SHELL       | ZINC ALLOY | NICKEL |
| 2   | INSULATOR   | DELTRIN    | WHITE  |
| 1   | BODY        | BRASS      | NICKEL |