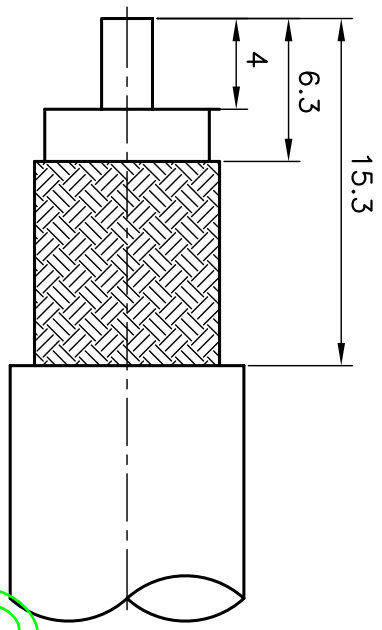
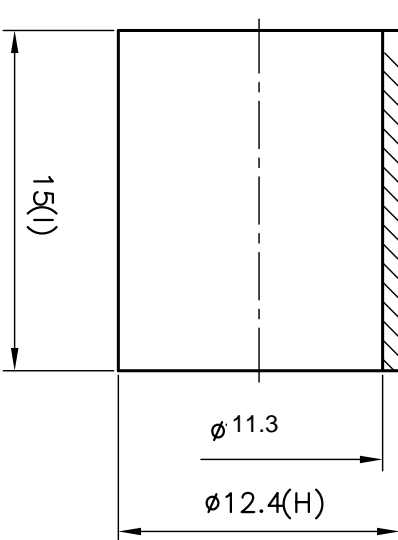
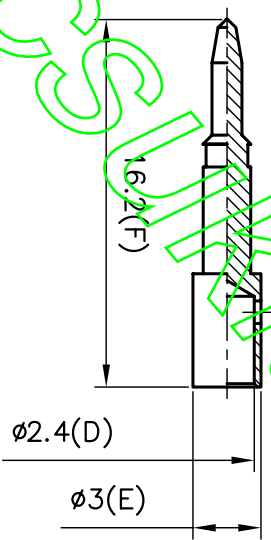
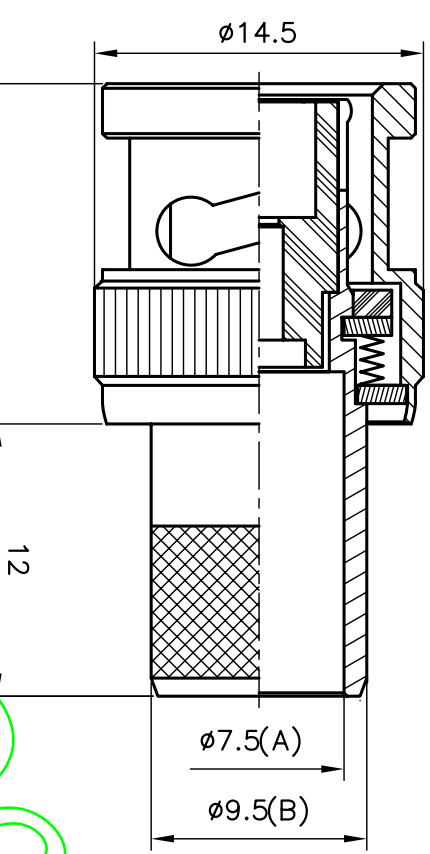


ISS	REVISIONS	DESCRIPTION \ DATE

ROHS COMPLIANT



RECOMMENDED  
CABLE STRIPPING DIM'S



1. CRIMPED FERRULE  
HEX CRIMP SIZE .429"
2. CRIMPED CONTACT PIN  
HEX CRIMP SIZE .100"

**CONNECTORS CABLES**  
**BBS**  
SPECIALISTS LTD

TITLE: BNC MALE CRIMP  
(FOR RG213)

PART NO: BPCR214

DR. NO: 030

APRD:	UNLESS OTHERWISE SPECIFIED TOLERANCES
CHKD:	0.5-6 = ±0.2
DR: 力英豪	>6-30 = ±0.4
DATE: 11/24/10"	>30-120 = ±0.6
SHEET: .	>120-315 = ±1.1
SCALE: 3/1	>315-1000 = ±1.6
UNIT: mm	ANGLES = ±5°

NO.	DESCRIPTION	MATERIAL	FINISH
	FERRULE	BRASS	NICKEL
	CONTACT PIN	BRASS	GOLD
	SHELL	ZINC ALLOY	NICKEL
	WASHER	STEEL	NICKEL
	SPRING	STEEL	NICKEL
	C RING	STEEL	NICKEL
	GASKET	RUBBER	RED
	INSULATOR	DELTRIN	WHITE
	BODY	BRASS	NICKEL
		MATERIAL	FINISH