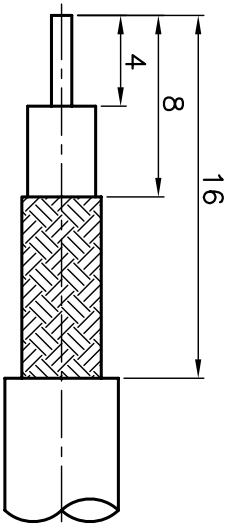
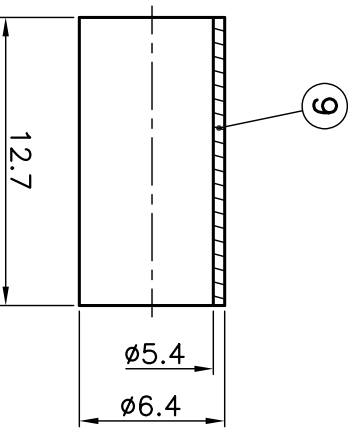
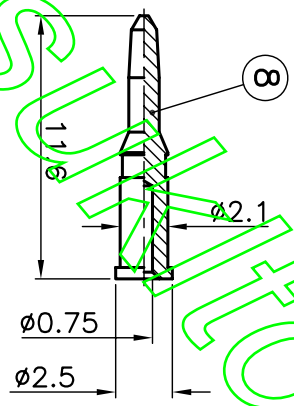
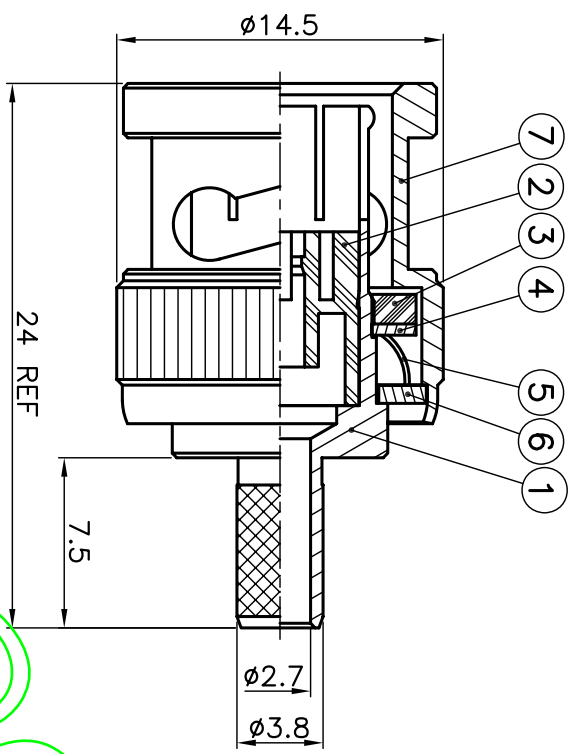


ISS	DESCRIPTION	DATE

REVISIONS



RECOMMENDED  
CABLE STRIPPING DIM'S



1. CRIMPED FERRULE  
HEX CRIMP SIZE .213"
2. CRIMPED CONTACT PIN  
HEX CRIMP SIZE .068"

**CONNECTORS CABLES**  
**CRS**  
**SPECIALISTS LTD**

TITLE: BNC MALE CRIMP (75 Ohm)  
(FOR 2002)

PART NO: BPCR2002  
DRAWING NO:

APRD:	UNLESS OTHERWISE SPECIFIED TOLERANCES
CHKD:	0.5-6 = ±0.2
DR:	>6-30 = ±0.4
	>30-120 = ±0.6
	>120-315 = ±1.1
	>315-1000 = ±1.6
	ANGLES = ±5°

DATE: 02/25/10"	UNIT: mm
SHEET: .	SCALE: 3/1

NO.	DESCRIPTION	MATERIAL	FINISH
9	FERRULE	BRASS	NICKEL
8	CONTACT PIN	BRASS	GOLD
7	SHELL	ZINC ALLOY	NICKEL
6	WASHER	STEEL	NICKEL
5	SPRING	SK-5	NICKEL
4	C WASHER	STEEL	NICKEL
3	GASKET	PVC	RED
2	INSULATOR	DELIRIN	WHITE
1	BODY	BRASS	NICKEL