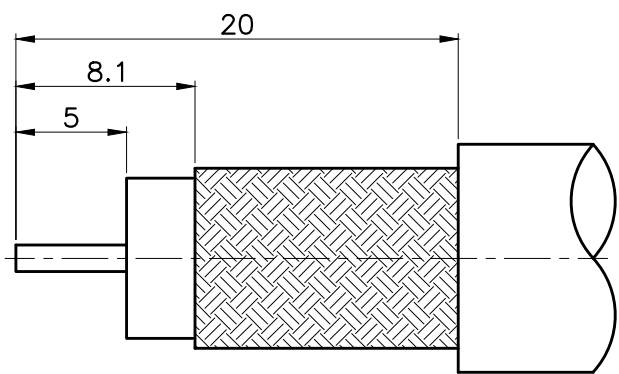
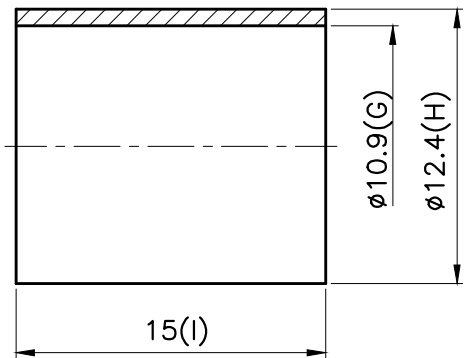
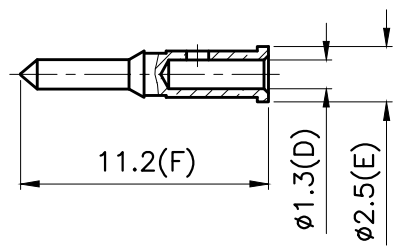
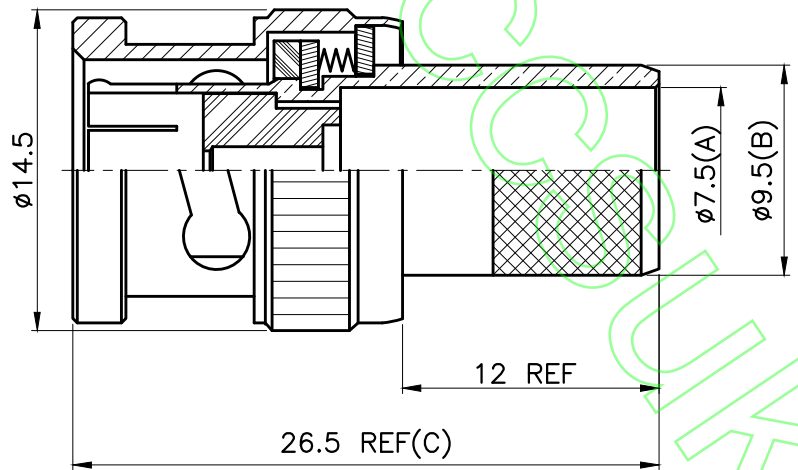


REVISIONS		
ISS	DESCRIPTION	DATE



RoHS COMPLIANT

RECOMMENDED
CABLE STRIPPING DIM'S



1. CRIMPED FERRULE
HEX CRIMP SIZE .429"
2. CRIMPED CONTACT PIN
HEX CRIMP SIZE .068"



TITLE: BNC MALE CRIMP (75 ohm)
(FOR RG11/U)

PART NO: BPCR11 030

DRAWING NO:

APRD:	UNLESS OTHERWISE SPECIFIED TOLERANCES 0.5-6 = ±0.2 >6-30 = ±0.4 >30-120 = ±0.6 >120-315 = ±1 >315-1000 = ±1.6 ANGLES = ±5°			
CHKD:		FERRULE	BRASS	NICKEL
DR:		CONTACT PIN	BRASS	GOLD
DATE: 04/25/14"	UNIT: mm	SHELL	ZINC ALLOY	NICKEL
SHEET: .	SCALE: 3/1	INSULATOR	TEFLON	WHITE
		BODY	BRASS	NICKEL
		NO. DESCRIPTION	MATERIAL	FINISH