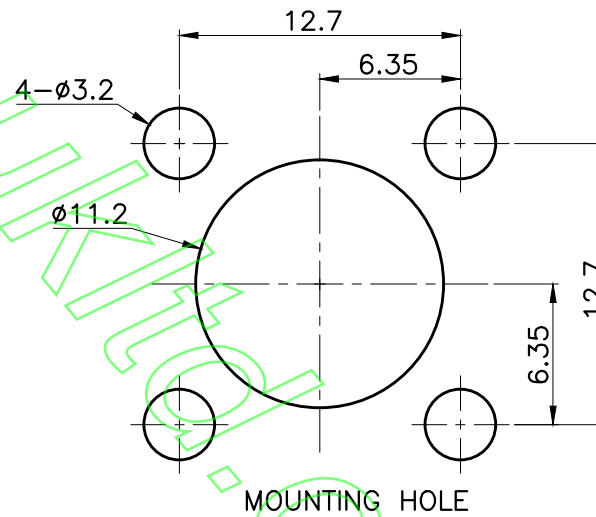
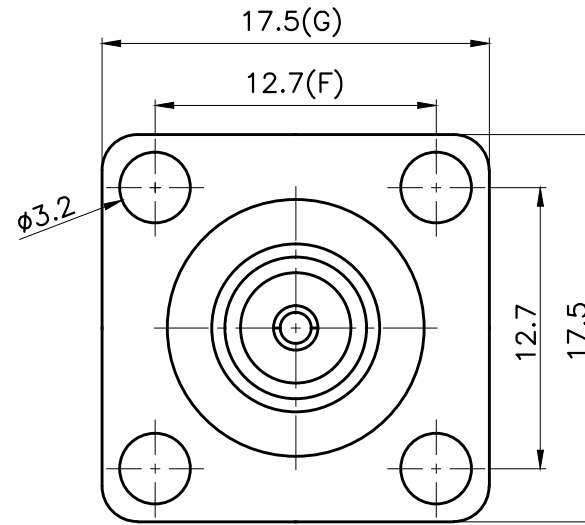
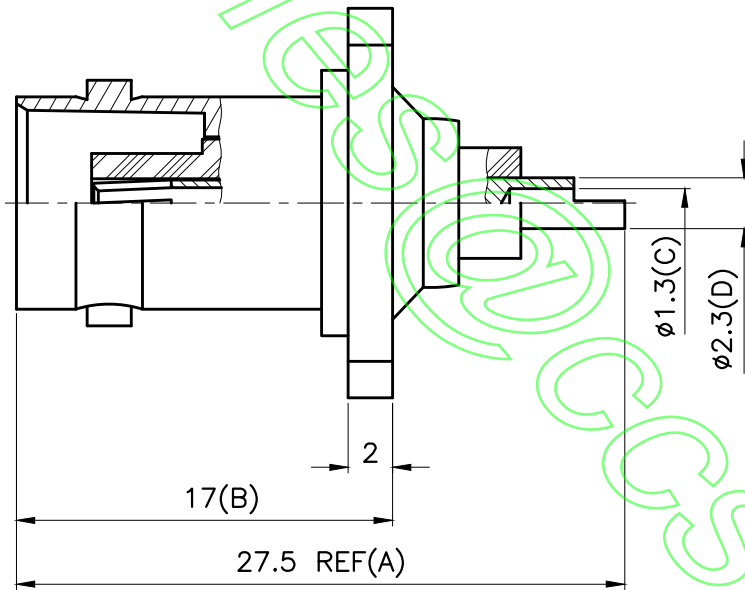


REVISIONS	
ISS	DESCRIPTION \ DATE

RoHS COMPLIANT



CONNECTORS CABLES



SPECIALISTS LTD.

TITLE: BNC FEMALE CHASSIS MOUNT

APRD:	UNLESS OTHERWISE SPECIFIED TOLERANCES 0.5-6 = ±0.2 >6-30 = ±0.4 >30-120 = ±0.6 >120-315 = ±1 >315-1000 = ±1.6 ANGLES = ±5°					
CHKD:						
DR:						
PART NO: BPAJSS50	DATE: 02/05/07"	UNIT: mm	PANEL	BRASS	NICKEL	KA/2005/10527 \ KA/2005/60362
DRAWING NO: 030	SHEET: .	SCALE: 3/1	CONTACT PIN	BRASS	GOLD	KA/2005/10527 \ KA/2005/30993
			INSULATOR	DELIN	WHITE	KA/2005/10531
			BODY	BRASS	NICKEL	KA/2005/10527 \ KA/2005/60362
			NO. DESCRIPTION	MATERIAL	FINISH	SGS REPORT NO