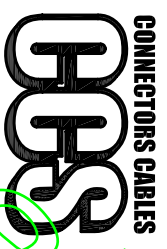
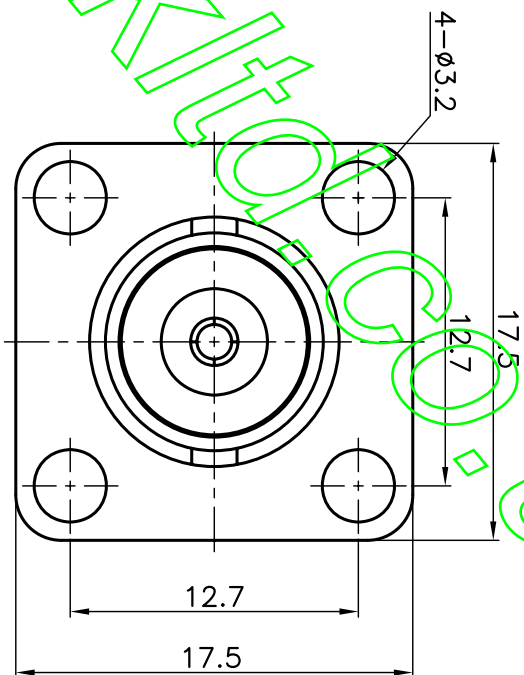
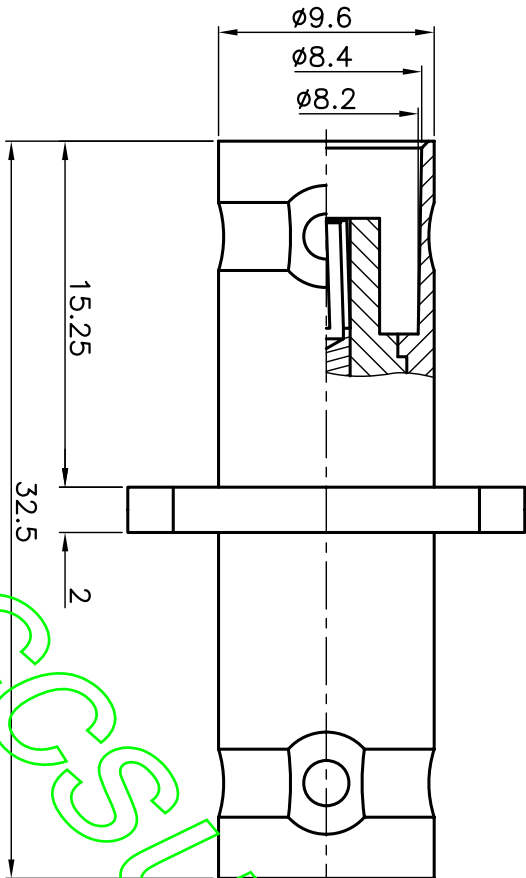


ISS	REVISIONS
	DESCRIPTION \ DATE

RoHS COMPLIANT



TITLE: BNC DOUBLE FEMALE PANEL

PART NO: BPAJJA50

DRAWING NO:

APRD:	UNLESS OTHERWISE SPECIFIED TOLERANCES 0.5-6 = ±0.2 >6-30 = ±0.4 >30-120 = ±0.6 >120-315 = ±1 >315-1000 = ±1.6 ANGLES = ±1.5°
CHKD:	
DR:	
DATE: 01/05/10"	

SHEET: .	UNIT: mm	SCALE: 3/1
----------	----------	------------

CONTACT PIN	BRASS	GOLD
INSULATOR	DELRIN	WHITE
BODY	BRASS	NICKEL
DESCRIPTION	MATERIAL	FINISH