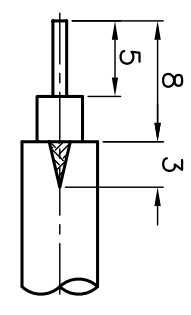
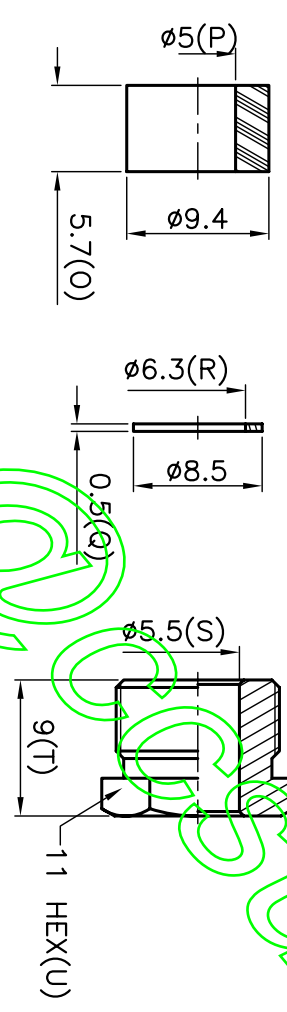
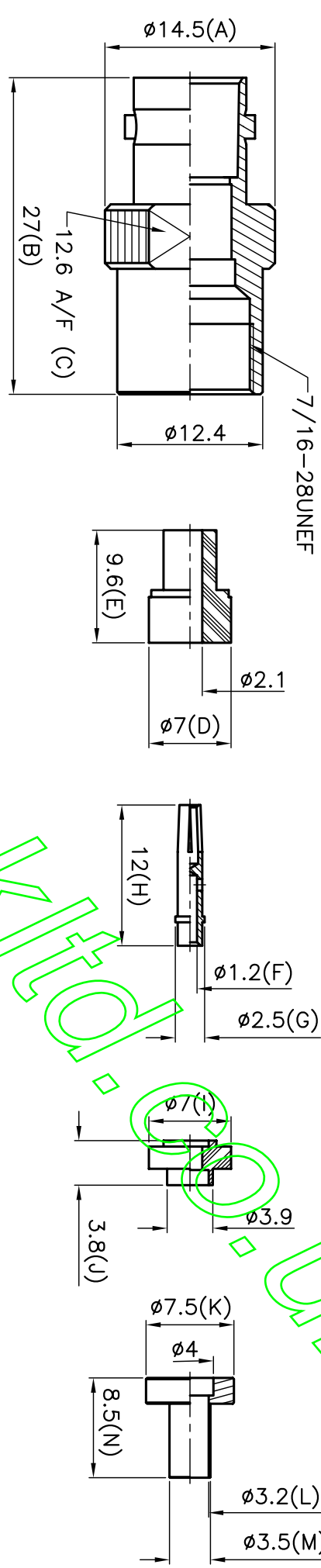


ISS	REVISIONS
	DESCRIPTION \ DATE

RoHS COMPLIANT



- NOTES: FINISH (PLATING THICKNESS IN MICRO-INCHES)
- BRASS PER QQ-B-626
 - NICKEL PL 70 MIN THICK OVER COPPER STRIKE
 - GOLD FLUSH OVER NICKEL PL 70 MIN THICK OVER COPPER STRIKE
 - TEFLON MIL-P-19468
 - BRASS JIS H 3100, C 2680

CONNECTORS CABLES
BS SPECIALISTS LTD.

TITLE: BNC FEMALE CLAMP
 (FOR RG58/U)

APRD:	UNLESS OTHERWISE SPECIFIED TOLERANCES
CHKD:	0.5-6 = ±0.2
DR:	>6-30 = ±0.4
	>30-120 = ±0.6
	>120-315 = ±1.0
	>315-1000 = ±1.6
	ANGLES = ±5°

PART NO: BJSJC5801	DATE: 02/08/07	UNIT: mm	NO. 1	DESCRIPTION	MATERIAL	FINISH	SGS REPORT NO
DR. NO: 037	SHEET: .	SCALE: 2/1	2	INSULATOR	NOTE 4	WHITE	KA/2005/50918
			3	CONTACT PIN	NOTE 1	NOTE 3	KA/2005/10527
			4	INSULATOR	NOTE 4	WHITE	KA/2005/50918
			5	BRAID HOLDER	NOTE 1	NOTE 2	KA/2005/10527
			6	GASKET	NOTE 5	WHITE	KA/2005/60362
			7	WASHER	NOTE 2	NOTE 2	KA/2005/60362
			8	NUT	NOTE 1	NOTE 2	KA/2005/60362