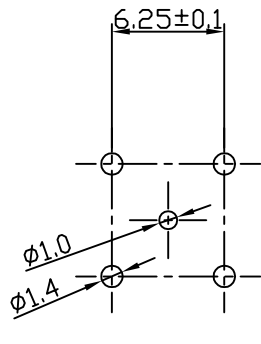
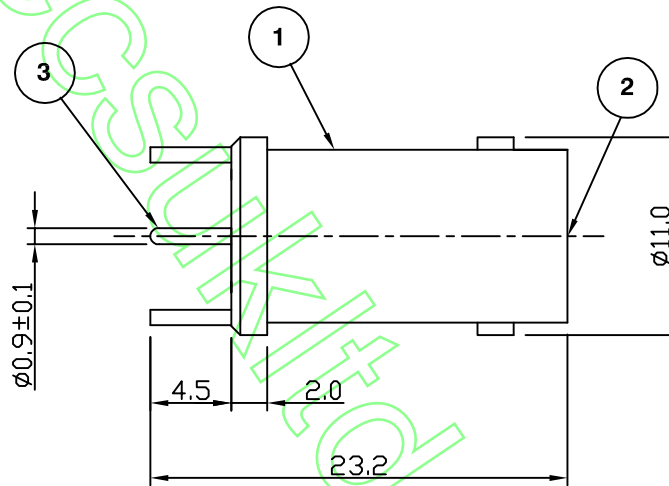
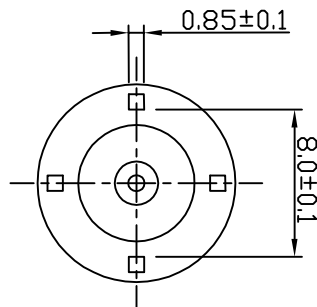


RoHS COMPLIANT



MOUNTING HOLE



**Electrical Characteristics**

Nominal Impedance:	75 ohms
Frequency Range:	DC to 1 GHz
VSWR:	1.3:1 maximum
Insertion Loss:	0.2 dB at 1 GHz
Operating Voltage (rms):	500 V maximum at sea level
Dielectric Withstand Voltage (rms):	1500 V maximum at sea level
Contact Resistance:	3.0 milliohms maximum
Insulation Resistance:	5000 megohms minimum

**Mechanical Characteristics**

Mating Cycles:	500 cycles minimum
Interface Dimensions:	Conform to MIL-C-39012

**Environmental Characteristics**

Temperature Range:	-65 °C to +165 °C
--------------------	-------------------

PART	DESCRIPTION
1	Body Brass, tin plated
2	Dielectric PTFE
3	Contact Brass, gold plated

Address & RoHS added	MS	4	11 Sep 09
Mounting Hole From Ø1.2 To Ø1.4	SN	3	18 Feb 02
CAD Issue	SN	2	04 Feb 02
First Issue	DW	1	21 July 99
DESCRIPTION OF REVISION	APPVD	ISS	DATE



Connectors Cables Specialists (CCS) Ltd  
Unit 6 Stort Mill,  
Riverway, Harlow, Essex,  
CM20 2SN

SCALE: Not To Scale

DIMENSIONS: mm

TOLERANCES:  
± 0.2mm unless  
otherwise stated

DRAWN BY:

CHECKED BY:

APPROVED BY:

DATE:

TITLE:

BNC Vertical PCB Mount Jack

PART NUMBER:

**BJPCBRDL75**

PAGE: 1 of 1

**CONNECTORS CABLES**

**FOFS**

**SPECIALISTS LTD.**