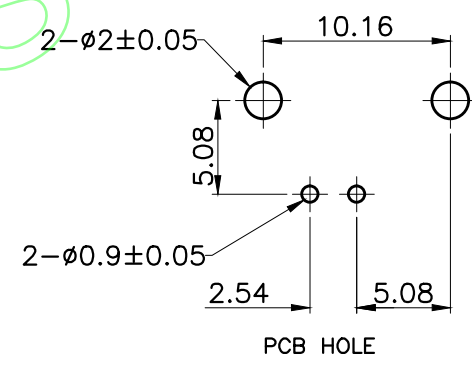
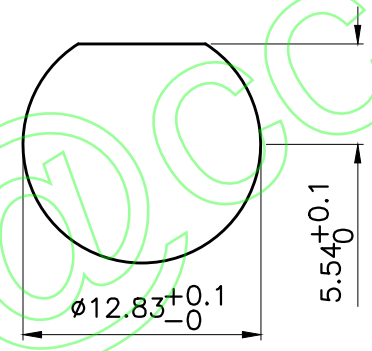
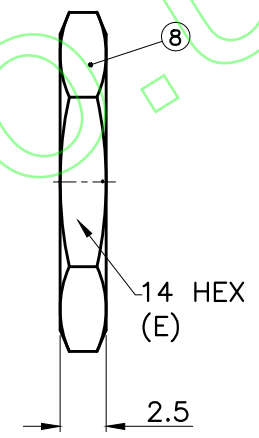
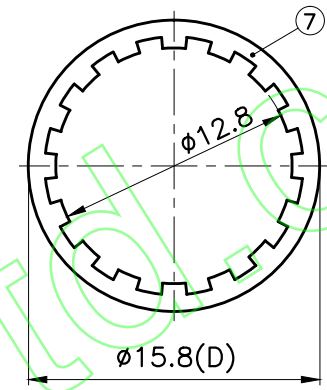
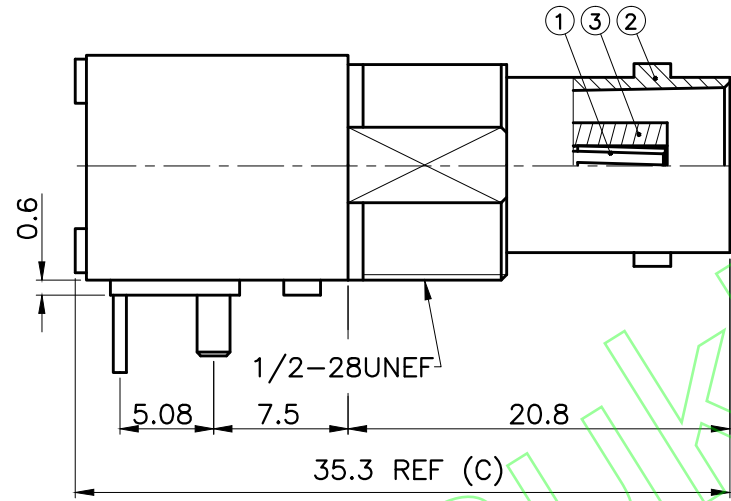
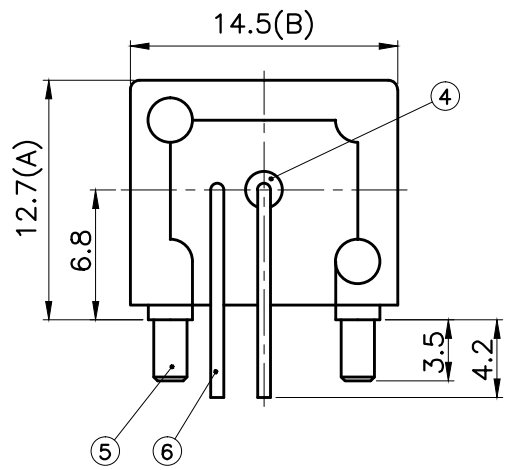


REVISIONS		
ISS	DESCRIPTION	DATE

RoHS COMPLIANT



TITLE: BNC FEMALE R/A PANEL MOUNT
DIECAST/ 12.7 (50 ohm)

PART NO: BJPCBRA50SHILP

DRAWING NO: 166

APRD:	UNLESS OTHERWISE SPECIFIED TOLERANCES 0.5-6 = ±0.2 >6-30 = ±0.4 >30-120 = ±0.6 >120-315 = ±1 >315-1000 = ±1.6 ANGLES = ±5°	UNIT: mm
CHKD:		SCALE: 2.5/1
DR:		DATE: 01/28/15"
SHEET: .		

NO.	DESCRIPTION	MATERIAL	FINISH
8	NUT	BRASS	NICKEL
7	WASHER	STEEL	NICKEL
6	GROUNDING TERMINAL	COPPER	TIN
5	MOUNTING POST	BRASS	TIN
4	INSULATOR	PE-606	
3	INSULATOR	PE-606	
2	BODY	ZINC ALLOY	NICKEL
1	CONTACT PIN	PHOSPHOR BRONZE	GOLD