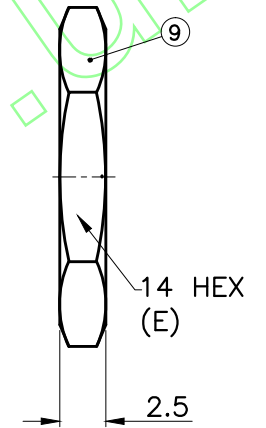
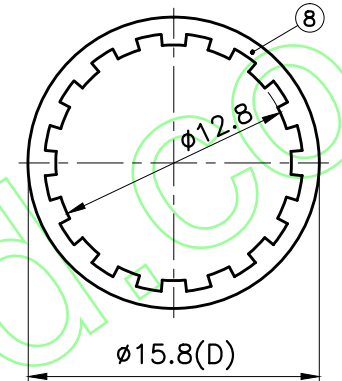
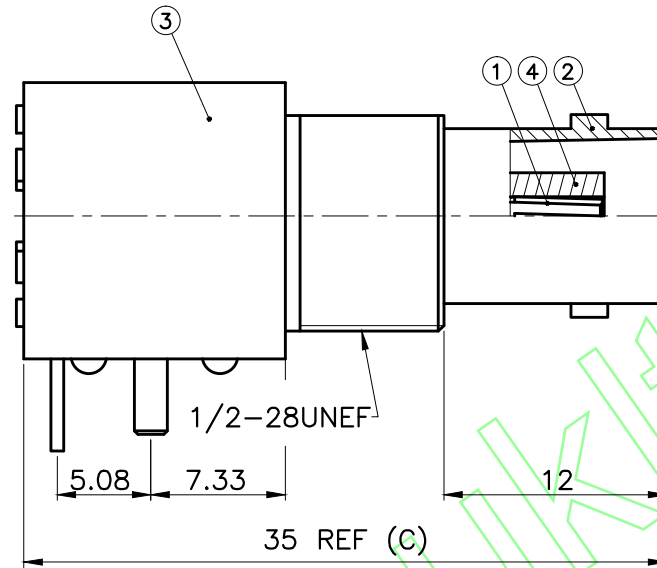
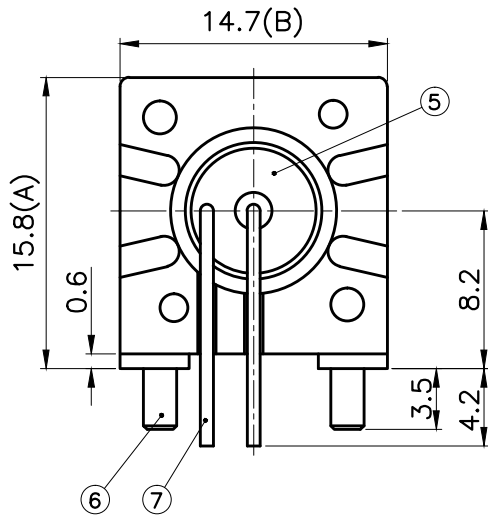
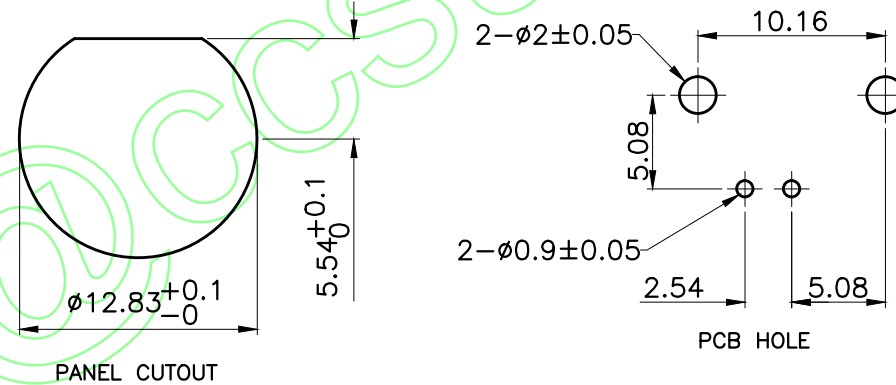


REVISIONS		
ISS	DESCRIPTION	DATE



RoHS COMPLIANT



CONNECTORS CABLES



SPECIALISTS LTD.

APRD:	UNLESS OTHERWISE SPECIFIED TOLERANCES 0.5-6 = ±0.2 >6-30 = ±0.4 >30-120 = ±0.6 >120-315 = ±1 >315-1000 = ±1.6 ANGLES = ±5°
CHKD:	
DR:	
DATE: 04/15/15"	UNIT: mm
SHEET: .	SCALE: 2.5/1

NO.	DESCRIPTION	MATERIAL	FINISH
9	NUT	BRASS	NICKEL
8	WASHER	STEEL	NICKEL
7	GROUNDING TERMINAL	COPPER	TIN
6	MOUNTING POST	BRASS	TIN
5	INSULATOR	PE-606	
4	INSULATOR	PE-606	
3	HOUSING	PBT	WHITE
2	BODY	ZINC ALLOY	NICKEL
1	CONTACT PIN	PHOSPHOR BRONZE	GOLD

TITLE: BNC FEMALE R/A PANEL MOUNT  
ISOLATED/15.8 (50 ohm)

PART NO: BJPCBRA50INS 166

DRAWING NO: