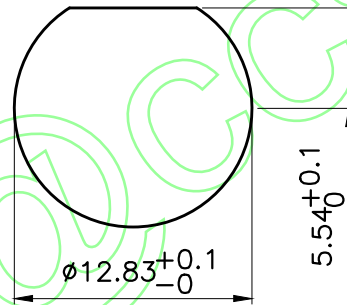
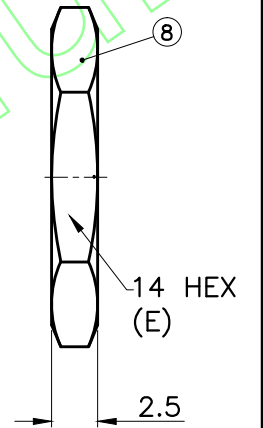
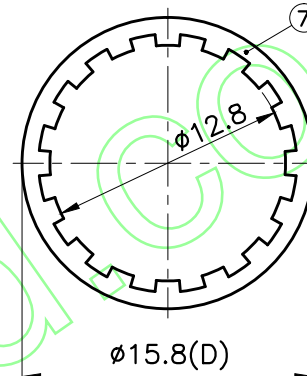
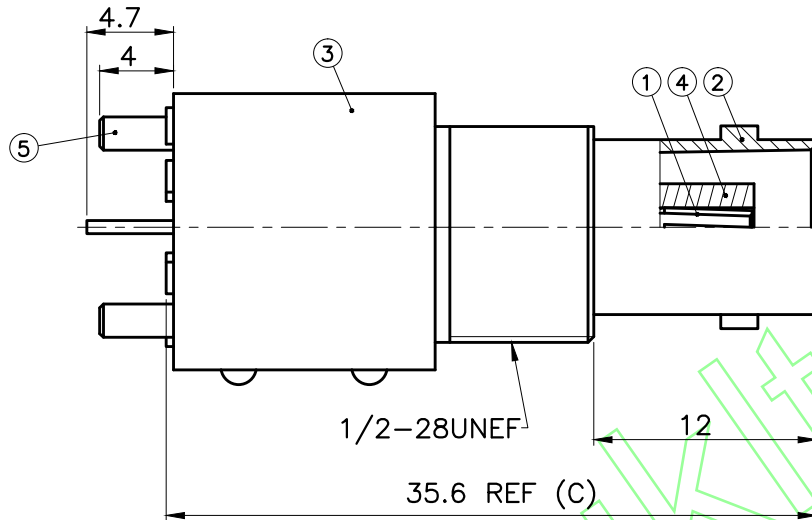
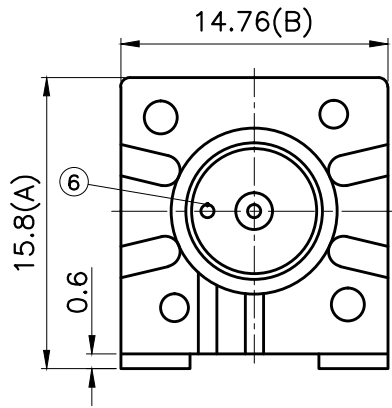
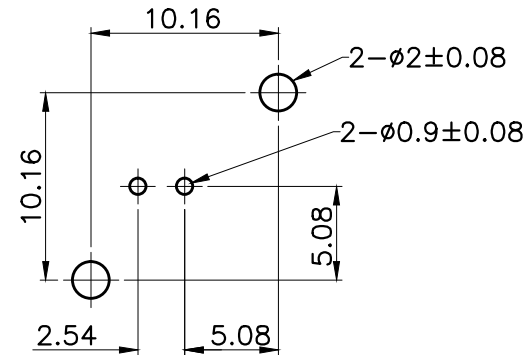


REVISIONS		
ISS	DESCRIPTION	DATE



PANEL CUTOUT



PCB HOLE

CONNECTORS CABLES



SPECIALISTS LTD.

APRD:	UNLESS OTHERWISE SPECIFIED TOLERANCES 0.5-6 = ±0.2 >6-30 = ±0.4 >30-120 = ±0.6 >120-315 = ±1 >315-1000 = ±1.6 ANGLES = ±5°	8	NUT	BRASS	NICKEL
CHKD:		7	WASHER	STEEL	NICKEL
DR:		6	GROUNDING TERMINAL	COPPER	TIN
TITLE: BNC FEMALE PANEL MOUNT ISOLATED/15.8 (50 ohm)		5	MOUNTING POST	BRASS	TIN
PART NO: BJPCB50INS	166	4	INSULATOR	PE-606	
DRAWING NO:		3	HOUSING	PBT	WHITE
		2	BODY	ZINC ALLOY	NICKEL
		1	CONTACT PIN	PHOSPHOR BRONZE	GOLD
		NO.	DESCRIPTION	MATERIAL	FINISH