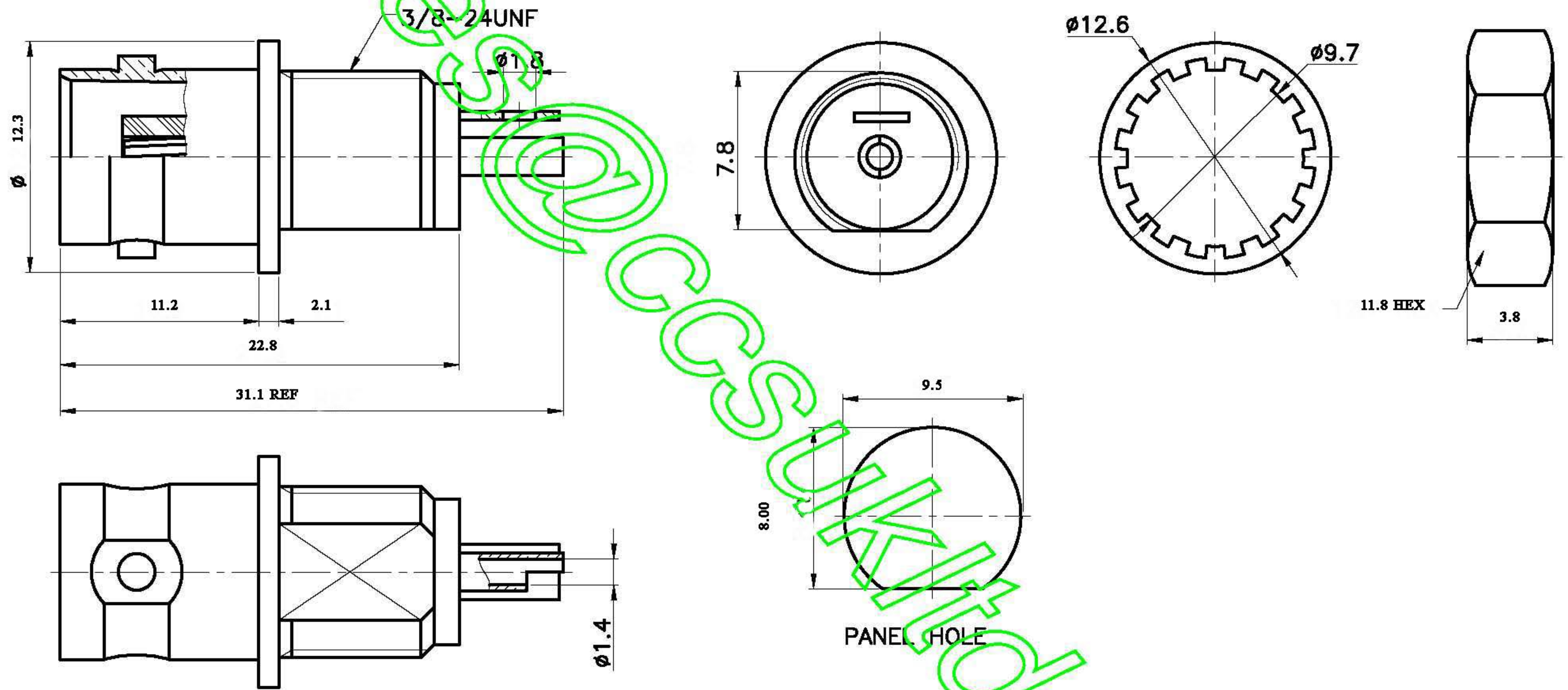


REVISIONS	
ISS	DESCRIPTION \ DATE

RoHS COMPLIANT



TITLE: BNC RECEPTACLE IF TYPE  
(50 ohms)

PART NO: BBJSS50INSLC

DRAWING NO:

032

APRD:	UNLESS OTHERWISE SPECIFIED TOLERANCES 0.5-8 = ±0.2 >6-30 = ±0.4 >30-120 = ±0.6 >120-315 = ±1 >315-1000 = ±1.6 ANGLES = ±5°			
CHKD:		NUT	BRASS	NICKEL
DR:		WASHER	STEEL	NICKEL
DATE: 05/16/14"	UNIT: mm	GROUND TAG	BRASS	NICKEL
SHEET: .	SCALE: 3/1	CONTACT PIN	PHOSPHOR BRONZE	GOLD
		INSULATOR	DEL RIN	WHITE
		BODY	BRASS	NICKEL
		NO. DESCRIPTION	MATERIAL	FINISH