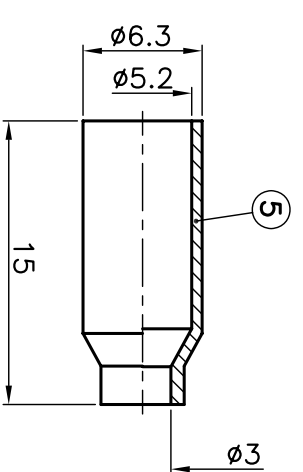
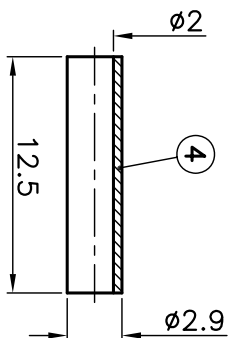
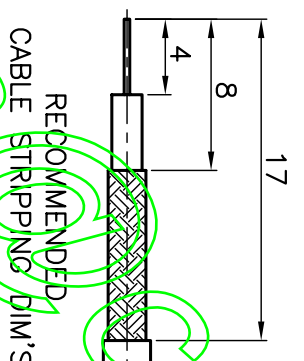
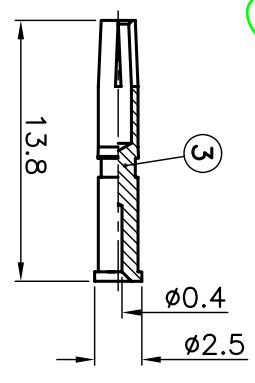
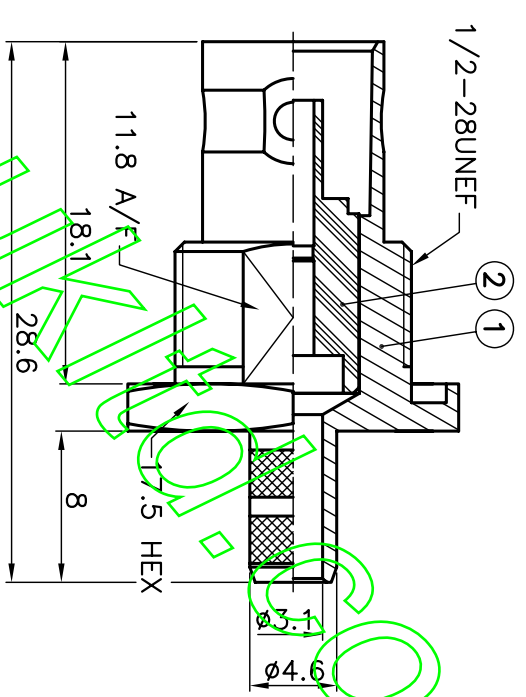
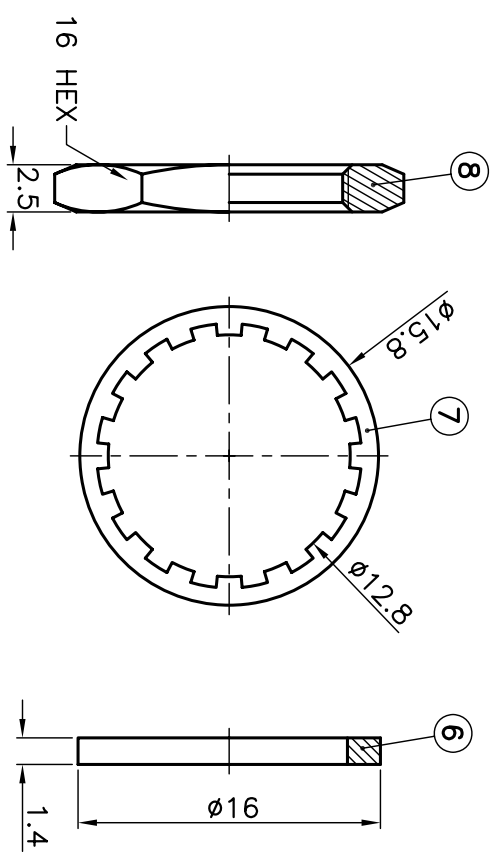


ISS	REVISIONS	DESCRIPTION \ DATE

RoHS COMPLIANT



TITLE: BNC FEMALE BULKHEAD CRIMP
(75 ohms)(FOR RG 179/U)

PART NO: BBJCR179
DRAWING NO: .

APRD:	UNLESS OTHERWISE SPECIFIED TOLERANCES 0.5-6 = ±0.2 >6-30 = ±0.4 >30-120 = ±0.6 >120-315 = ±1.0 >315-1000 = ±1.6 ANGLES = ±5°
CHKD:	
DR:	
DATE: 07/31/09"	UNIT: mm
SHEET: .	SCALE: 2.5/1

NO.	DESCRIPTION	MATERIAL	FINISH
8	NUT	BRASS	NICKEL
7	WASHER	STEEL	NICKEL
6	GASKET	RUBBER	RED
5	FERRULE	BRASS	NICKEL
4	RING	DELTRIN	WHITE
3	CONTACT PIN	BRASS	GOLD
2	INSULATOR	DELTRIN	WHITE
1	BODY	BRASS	NICKEL