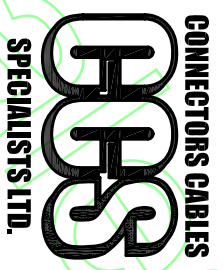
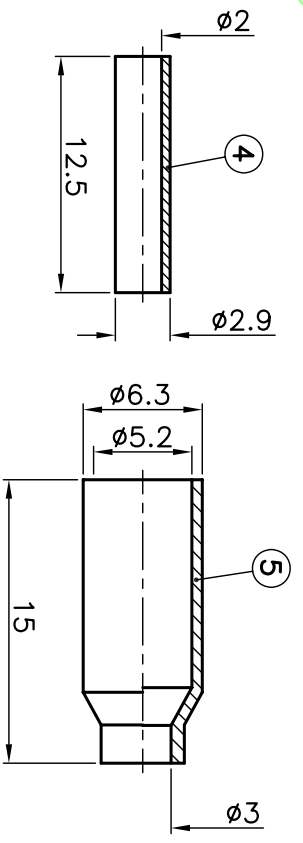
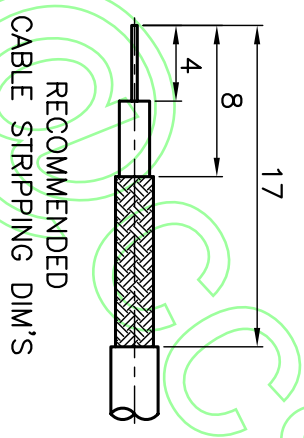
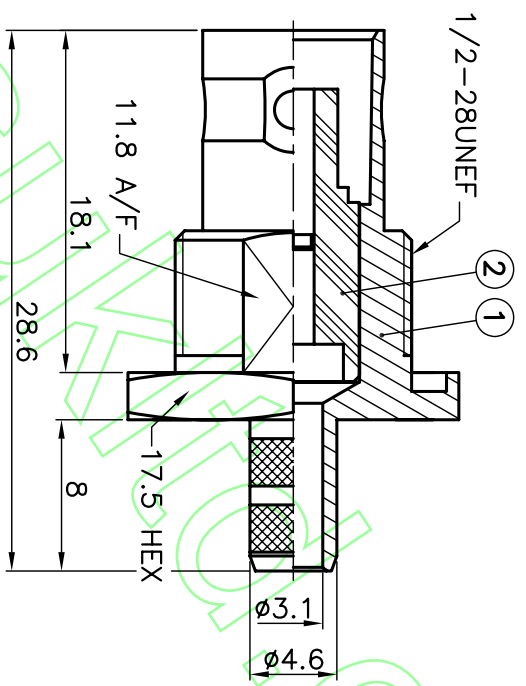
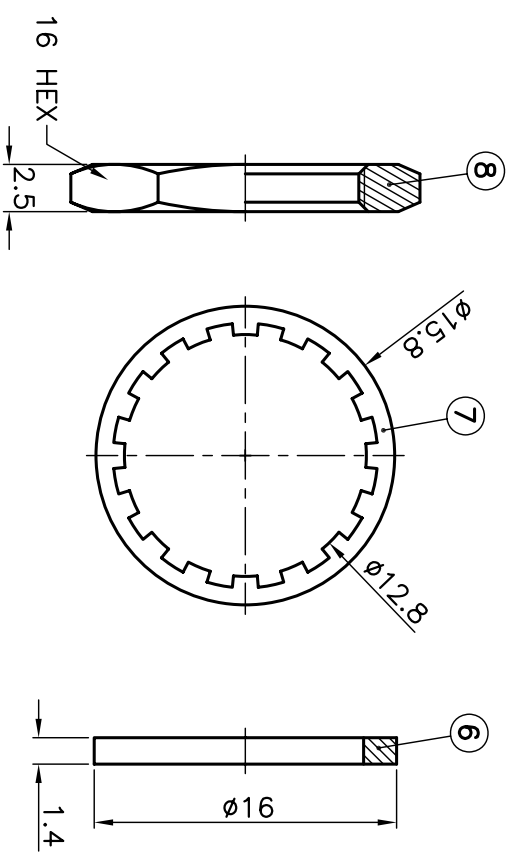


ISS	DESCRIPTION	DATE

REVISIONS



TITLE: BNC FEMALE BULKHEAD CRIMP

PART NO: BBJCR174  
DRAWING NO: .

APRD:	UNLESS OTHERWISE SPECIFIED TOLERANCES 0.5-6 = ±0.2 >6-30 = ±0.4 >30-120 = ±0.6 >120-315 = ±1.0 >315-1000 = ±1.6 ANGLES = ±5°
CHKD:	
DR:	
DATE: 06/11/05"	UNIT: mm
SHEET: .	SCALE: 2.5/1

NO.	DESCRIPTION	MATERIAL	FINISH	QTY
1	BODY	BRASS	NICKEL	1
2	INSULATOR	DELIN	WHITE	1
3	CONTACT PIN	BRASS	GOLD	1
4	RING	DELIN	WHITE	1
5	FERRULE	BRASS	NICKEL	1
6	GASKET	RUBBER	RED	1
7	WASHER	STEEL	NICKEL	1
8	NUT	BRASS	NICKEL	1