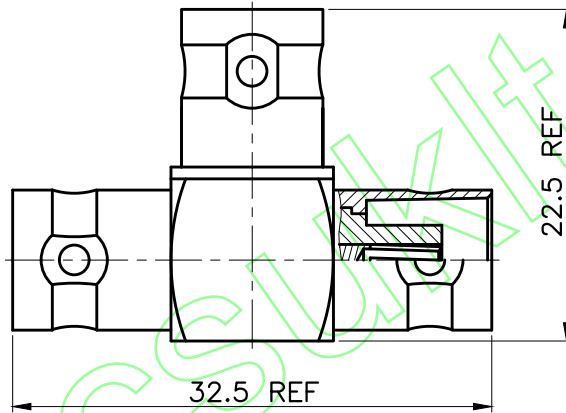


REVISIONS	
ISS	DESCRIPTION\DATE

RoHS COMPLIANT



CONNECTORS CABLES



SPECIALISTS LTD.

TITLE: BNC THREE FEMALE		APRD:	UNLESS OTHERWISE SPECIFIED TOLERANCES 0.5-6 = ±0.2 >6-30 = ±0.4 >30-120 = ±0.6 >120-315 = ±1 >315-1000 = ±1.6 ANGLES = ±5°				
PART NO: BTJJA50		CHKD:					
DRAWING NO:		DR:					
029	DATE: 11/27/19"	UNIT: mm					
		SCALE: 2/1					
				NO.	DESCRIPTION		
					CONTACT PIN	BRASS	GOLD
					INSULATOR	DELTRIN	WHITE
					BODY	BRASS	NICKEL
					MATERIAL		FINISH