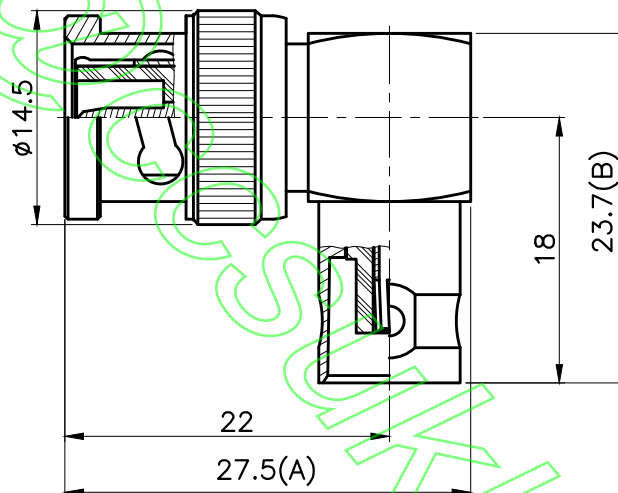


REVISIONS	
ISS	DESCRIPTION\DATE

RoHS COMPLIANT



CONNECTORS CABLES
COS
 SPECIALISTS LTD.

APRD:	UNLESS OTHERWISE SPECIFIED TOLERANCES 0.5-6 = ±0.2 >6-30 = ±0.4 >30-120 = ±0.6 >120-315 = ±1 >315-1000 = ±1.6 ANGLES = ±5°
CHKD:	
DR:	
DATE: 03/30/06"	UNIT: mm
SHEET: .	SCALE: 2/1

TITLE: BNC MALE TO FEMALE
 RIGHT ANGLE

PART NO: BPJRAA50

DRAWING NO:

030

SHELL	ZINC ALLOY	NICKEL	KA/2005/10528\	KA/2005/60362
CONTACT PIN	BRASS	GOLD	KA/2005/10527\	KA/2005/30993
INSULATOR	DELIN	WHITE	KA/2005/10531	
BODY	BRASS	NICKEL	KA/2005/10527\	KA/2005/60362
DESCRIPTION	MATERIAL	FINISH	SGS REPORT NO	

ISO 9001 certificate