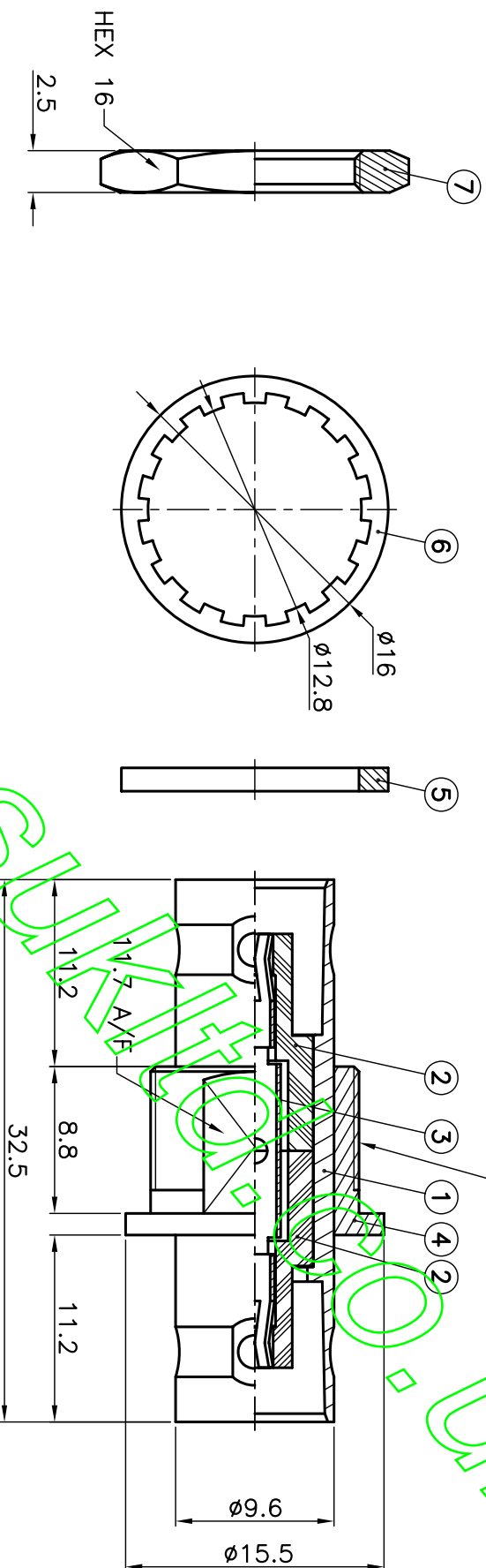


| ISS | DESCRIPTION \ DATE |
|-----|--------------------|
| | |

REVISIONS

RoHS COMPLIANT



CONNECTORS CABLES
CS
SPECIALISTS LTD

TITLE: BNC DOUBLE FEMALE INSULATED BULKHEAD

PART NO: BBJA501NS

DR. NO: .

| | |
|-----------------|--|
| APRD: | UNLESS OTHERWISE SPECIFIED TOLERANCES 0.5-6 = ±0.2 >6-30 = ±0.4 >30-120 = ±0.6 >120-315 = ±1.1 >315-1000 = ±1.6 ANGLES = ±1.5° |
| CHKD: | |
| DR: | |
| DATE: 08/06/10" | UNIT: mm |
| SHEET: . | SCALE: 2.5/1 |

| NO. | DESCRIPTION | MATERIAL | FINISH |
|-----|-----------------|----------|---------|
| 7 | NUT | BRASS | NICKEL |
| 6 | WASHER | STEEL | NICKEL |
| 5 | GASKET | RUBBER | RED |
| 4 | INSULATION BODY | ABS | NATURAL |
| 3 | CONTACT PIN | P.B | GOLD |
| 2 | INSULATOR | DELIRIN | WHITE |
| 1 | BODY | BRASS | NICKEL |
| | | MATERIAL | FINISH |

PANEL CUTOUT

