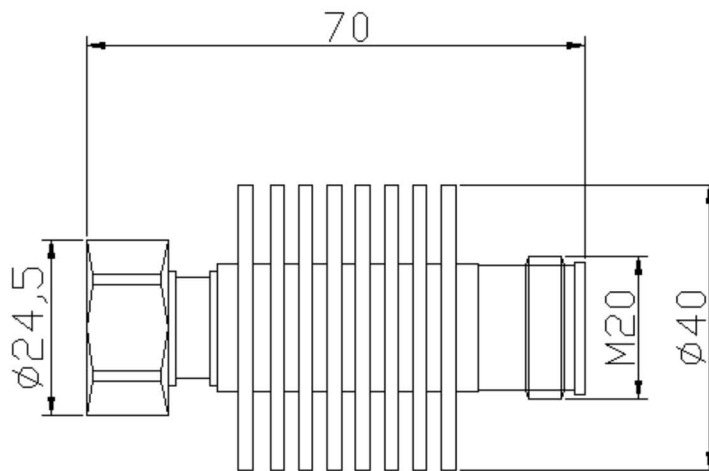


## RF Coaxial Fixed Attenuator, 15W, 4G, 4.3-10 Connector

### Product Features

- Wide Frequency Band DC-4GHz
- Low VSWR
- Low Attenuation Accuracy
- Widely used for In-building Solutions

### Mechanical Drawing (Unit:mm)



### TECHNICAL SPECIFICATION

| Item No.          | AT-15W4G-4310MF                         |      |      |      |
|-------------------|---|------|------|------|
| Attenuation (dB)  | 6                                       | 8    | 10   | 12   |
| Accuracy (dB)     | ±0.5                                    | ±0.6 | ±0.8 | ±0.8 |
| Frequency (GHz)   | DC-4 GHz                                |      |      |      |
| Average Power (W) | 15 W                                    |      |      |      |
| VSWR              | ≤1.2                                    |      |      |      |
| Connector         | 4.3-10 Male (in) to 4.3-10 Female (out) |      |      |      |
| Impedance (Ω)     | 50                                      |      |      |      |
| Temp (°C)         | -20°C~+70°C                             |      |      |      |
| Packing           | 1 pc per box                            |      |      |      |