

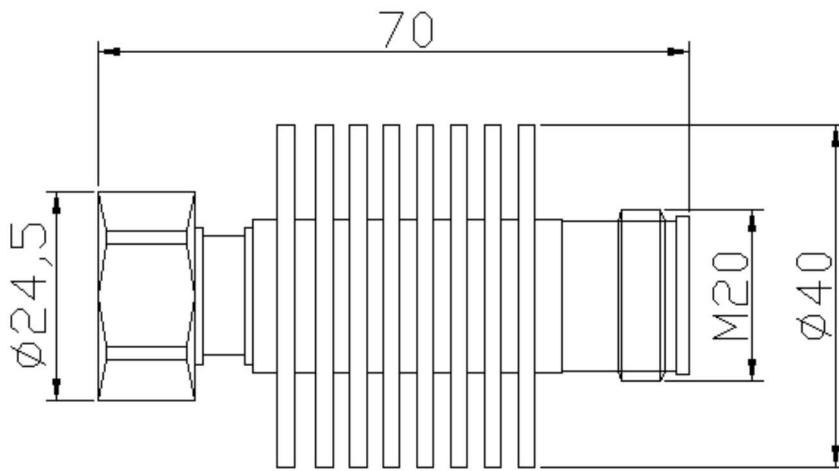
RF Coaxial Fixed Attenuator, 10W, 6G, 4.3-10 Connector

Product Features

- Wide Frequency Band DC-6GHz
- Low VSWR
- Low Attenuation Accuracy
- Widely used for In-building Solutions



Mechanical Drawing (Unit:mm)



TECHNICAL SPECIFICATION

Item No.	AT-10W6G-4310MF					
Attenuation (dB)	3	6	10	15	20	30
Accuracy (dB)	±0.6	±0.6	±1.0	±1.0	±1.2	±1.5
Frequency (GHz)	DC-6 GHz					
Average Power (W)	10 W					
VSWR	≤1.3					
Connector	4.3-10 Male (in) to 4.3-10 Female (out)					
Impedance (Ω)	50					
Temp (°C)	-20°C~+70°C					
Packing	1 pc per box					