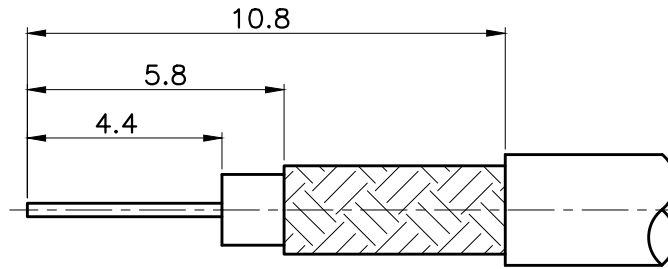
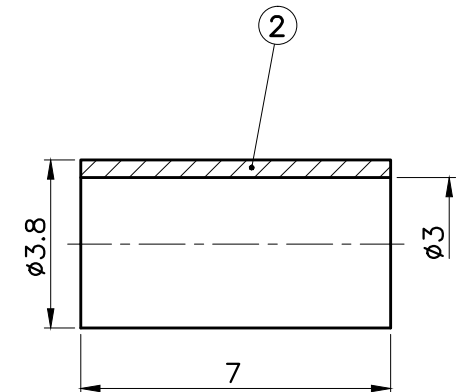
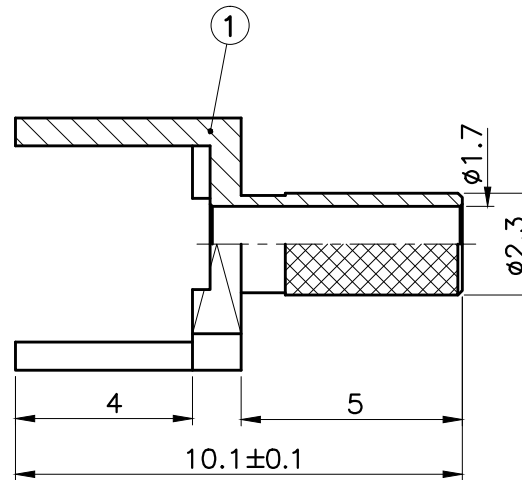
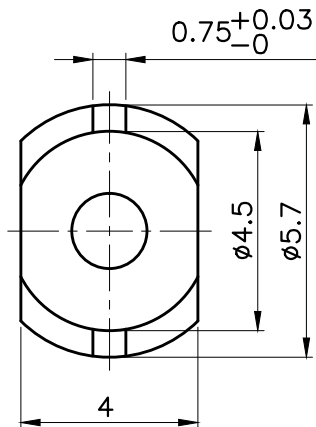
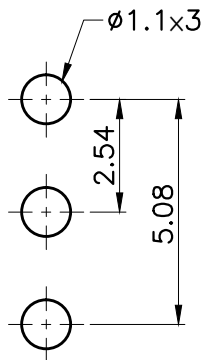


REVISIONS	
ISS	DESCRIPTION\DATE



RoHS COMPLIANT

CABLE STRIPPING DIM'S



NOTES: FINISH (PLATING THICKNESS IN MICRO-INCHES)

1. BRASS PER QQ-B-626
2. NICKEL PL 70 MIN THICK OVER COPPER STRIKE
3. BRASS JIS H 3250, C 2700



APRD:	UNLESS OTHERWISE SPECIFIED TOLERANCES 0.5-6 = ±0.2 >6-30 = ±0.4 >30-120 = ±0.6 >120-315 = ±1 >315-1000 = ±1.6 ANGLES = ±5°				
CHKD:					
DR:					
TITLE: CABLE TERMINATOR (FOR RG174)	DATE: 02/16/16" UNIT: mm	2	FERRULE	NOTE 3	NOTE 2
PART NO: .	SHEET: .	1	BODY	NOTE 1	NOTE 2
DRAWING NO: 30001-010(Q002B174) 037	SCALE: 6/1	NO.	DESCRIPTION	MATERIAL	FINISH