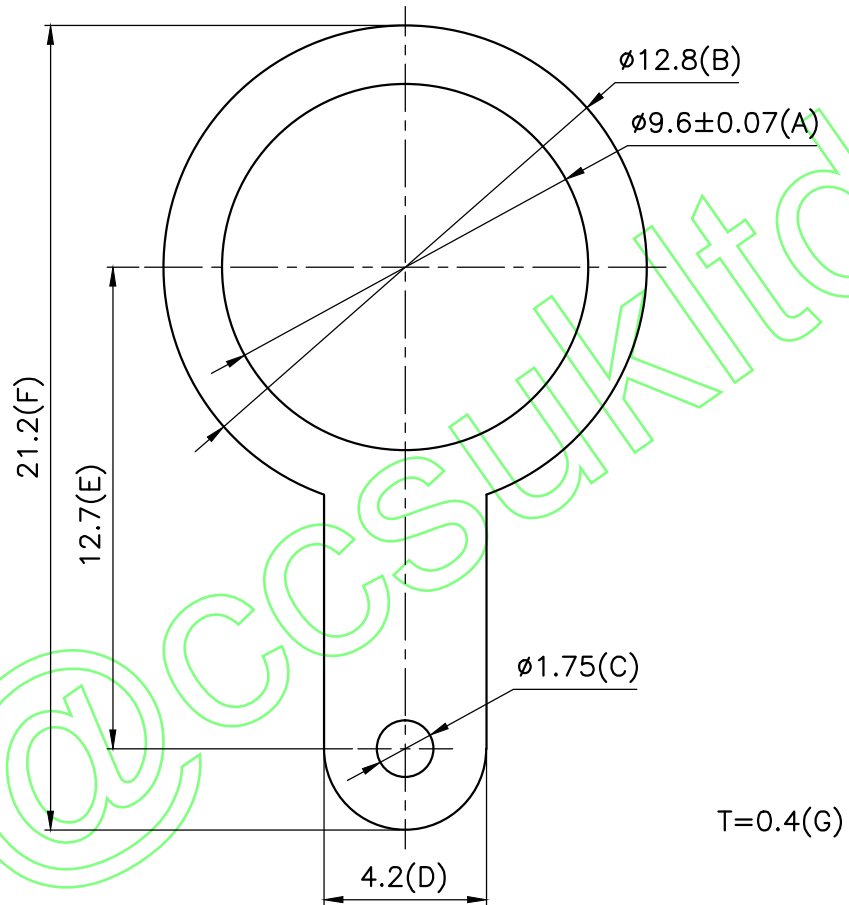


REVISIONS	
ISS	DESCRIPTION\DATE

RoHS COMPLIANT



T=0.4(G)

SALES@CCSUKLTD.CO.UK
 TEL 01279 639251
 WWW.CCSUKLTD.CO.UK

CONNECTORS CABLES



SPECIALISTS LTD.

APRD:	UNLESS OTHERWISE SPECIFIED TOLERANCES 0.5-6 = ±0.1 >6-30 = ±0.2 >30-120 = ±0.3 >120-315 = ±0.5 >315-1000 = ±0.8 ANGLES = ±3°		TITLE: TAG, STEEL/ SILVER PLATED
CHKD:		UNIT: mm	PART NO: BNC SOLTAGSS
DR:		SCALE: 5/1	DRAWING NO:
		SHEET: .	