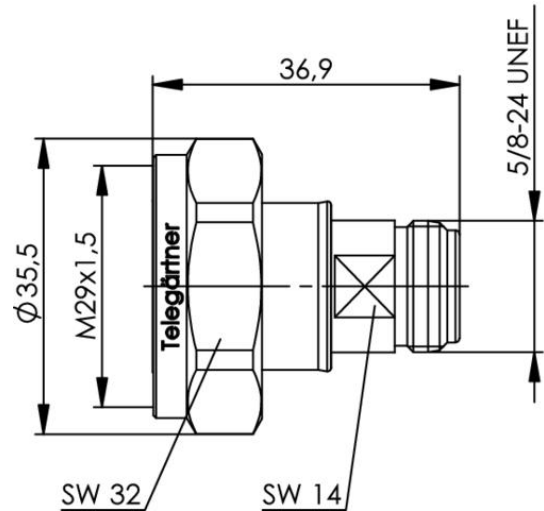
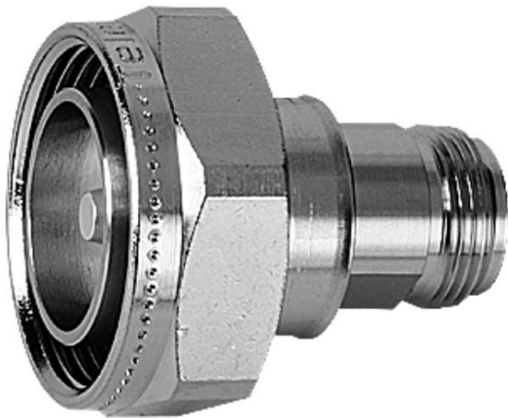


order number: J01122B0010

7/16 to N m-f



Technical Attributes	
Type	7-16 (m)/N (f)
Max. Frequency	7.5 GHz
Return Loss	45dB/1GHz; 35dB/4GHz; 32dB/6GHz
Life	min. 500